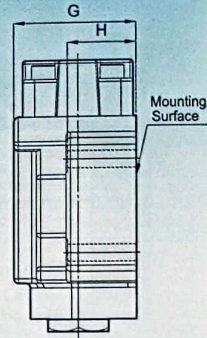
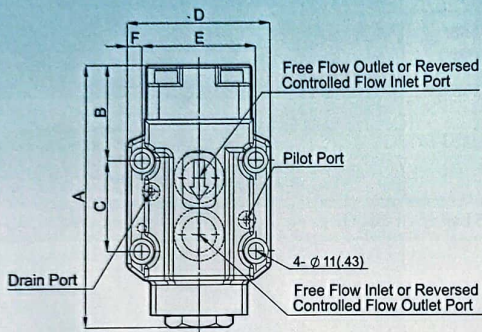
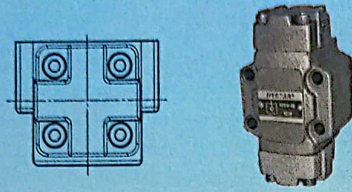


CPDG-03-06 Pilot Controlled Check Valves(Sub-Plate Type)

Valve Specifications & Attachment

Model	CPDG-03	CPDG-06
Flow Rating	40 lpm (10.6 gpm)	125 lpm (33 gpm)
Max. Pressure	250 bar (3600 psi)	250 bar (3600 psi)
Weight kg.(lbs.)	3.3 (7.3)	5.4 (11.9)
CODE:20	M10 X45LgX4pcs	M10 X50LgX4pcs
CODE:2090	3/8-16UNCX1-3/4LgX4pcs	3/8-16UNCX2LgX4pcs
Surface O-Ring	P9X2pc, P18X2pc	P9X2pc, P25X2pc
ISO Mounting	5781-AG-06-2-A	5781-AH-08-2-A



Model	A	B	C	D	E	F	G	H
CPDG-03	148(5.82)	52.6(2.07)	42.9(1.68)	91(3.58)	66.7(2.62)	12.2(.48)	70(2.75)	61(2.40)
CPDG-06	174(6.85)	63.4(2.49)	60.3(2.37)	100(3.93)	79.4(3.12)	10.3(.40)	82(3.22)	46(1.81)
CPDG-03	123(4.84)	37.6(1.48)	42.9(1.68)	85(3.34)	66.7(2.62)	9.2(.36)	45(1.77)	13(.51)

CPDG-10 Pilot Controlled Check Valves(Sub-Plate Type)

Valve Specifications & Attachment

Model	CPDG-10
Flow Rating	250 lpm (66 gpm)
Max. Pressure	250 bar (3600 psi)
Weight kg.(lbs.)	8.5 (18.7)
CODE:20	M10 X55LgX6pcs
CODE:2090	3/8-16UNCX2-1/4LgX6pcs
Surface O-Ring	P9X2pc, P38X2pc
ISO Mounting	5781-AJ-10-2-A

