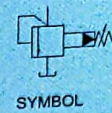


BG-03-06-10

Pilot Operated Relief Valves(Sub-Plate Type)

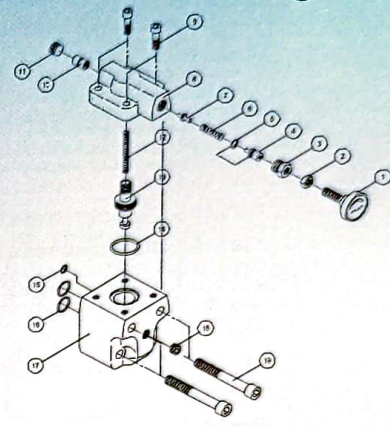
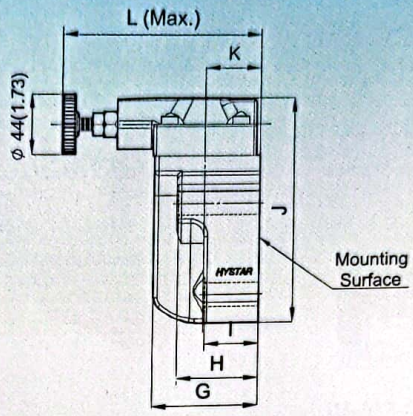
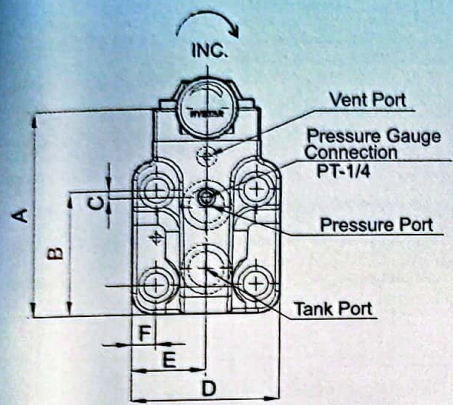
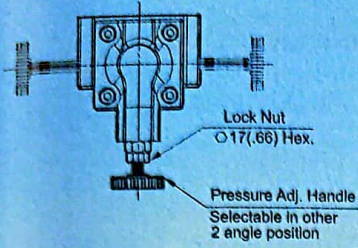


SYMBOL



Valve Specifications & Attachment

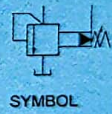
Model	BG-03	BG-06	BG-10
Flow rating	100 lpm (26.4 gpm)	200 lpm (52.8 gpm)	400 lpm (106 gpm)
Max. Pressure	250 bar (3600 psi)	250 bar (3600 psi)	250 bar (3600 psi)
Weight kg(lbs.)	4.7 (10.4)	5.6 (12.3)	8.7 (19.2)
CODE:20	M12 X70L g22pc4 M12 X95L g22pc4	M18 X95L g22pc4 M16 X80L g22pc4	M20 X70L g22pc4 M20 X95L g22pc4
CODE:2090	1/2-13UNF X2-3/4L g22pc4 1/2-13UNF X3-3/4L g22pc4	5/8-11UNF X2-1/4L g22pc4 5/8-11UNF X3-1/4L g22pc4	3/4-16UNF X2-3/4L g22pc4 3/4-16UNF X3-1/2L g22pc4
Surface O Ring	P9X1pc, P20X2pc	P10AX1pc, P29X2pc	P10AX1pc, P36X2pc
ISO Mounting	6264 AR-06-2-A	6264 AS-08-2-A	6264 AT-10-2-A



Model	A	B	C	D	E	F	G	H	I	J	K	L
BG-03	117(4.60)	75.5(2.97)	21.5(.84)	83(3.26)	41.5(1.63)	14.5(.57)	78(3.07)	77.5(3.05)	58.5(2.30)	136(5.35)	41(1.61)	146(5.74)
BG-06	145(5.70)	87.5(3.44)	5.5(.21)	104(4.09)	52(2.04)	17(.66)	78(3.07)	60(2.36)	40(1.57)	164(6.45)	41(1.61)	146(5.74)
BG-10	175(6.88)	106(4.17)	8(.31)	125(4.92)	62.5(2.46)	21.2(.83)	90(3.54)	69.5(2.73)	49.5(1.94)	195(7.67)	46(1.81)	155(6.10)

BT-03-06-10

Pilot Operated Relief Valves(Threaded Type)

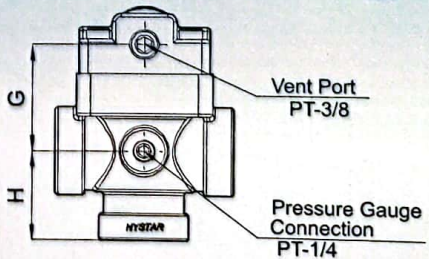
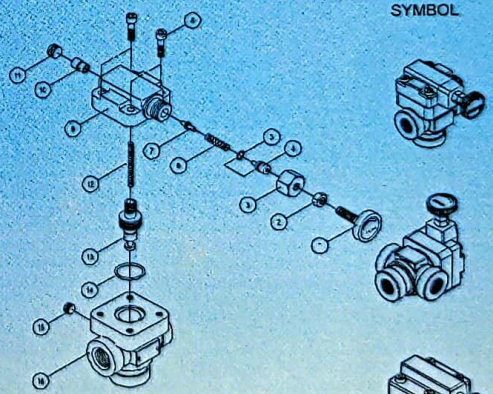
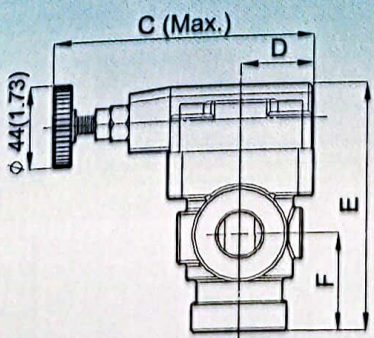
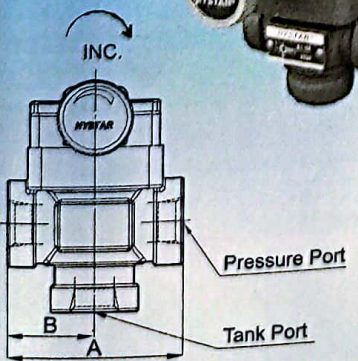
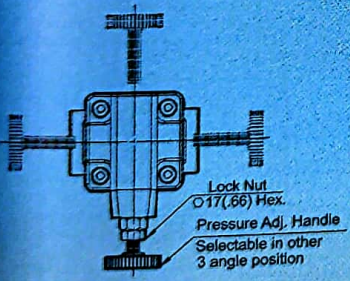


SYMBOL



Valve Specifications & Attachment

Model	BT-03	BT-06	BT-10
Flow rating	100 lpm (26.4 gpm)	200 lpm (52.8 gpm)	400 lpm (106 gpm)
Max. Pressure	250 bar (3600 psi)	250 bar (3600 psi)	250 bar (3600 psi)
Weight kg(lbs.)	5 (11.0)	5 (11.0)	8.5 (18.7)
CODE:20	3/8 PT	3/4 PT	1 1/4 PT
CODE:2090	3/8 NPT	3/4 NPT	1 1/4 NPT



Model	A	B	C	D	E	F	G	H
BT-03	77(3.03)	38.5(1.51)	132(5.19)	31.5(1.24)	123(4.84)	42(1.65)	65(2.55)	42(1.65)
BT-06	102(4.01)	51(2.00)	140(5.51)	39(1.53)	132(5.19)	52(2.04)	62(2.44)	52(2.04)
BT-10	140(5.51)	70(2.75)	152(5.98)	48(1.88)	191(7.51)	84(3.30)	86(3.38)	82(3.22)