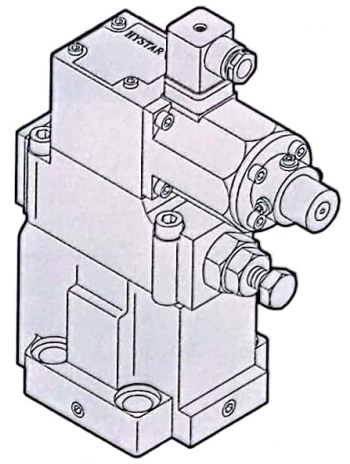


General Information

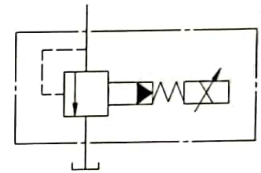
- 1.The EBG range of proportional relief valves offer a steady consistent remote control with low level.
- 2.Suitable for use with traditional electric controllers and micro-computers.
- 3.Precision micro pressure adjustment.
- 4.Standard HystAR electronic controller type HNC-1085 for best results.
- 5.Standard electrical connector to DIN 43650(ISO4400).



ORDERING CODE:

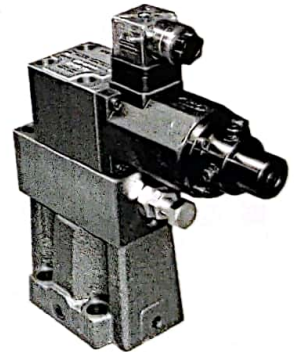
EBG - 03 - C - 20 - *

DATE OF MANUFACTURED
 DESIGN NO.
 20 :WITH DIN 912 BOLTS
 2090:WITH UNC(NORTH AMERICAN) BOLTS
 C:137bar(1950PSI)
 H:206bar(2930PSI)
 VALVE SIZE
 PROPORTIONAL ELECTRO-HYDRAULIC
 RELIEF VALVE G TYPE

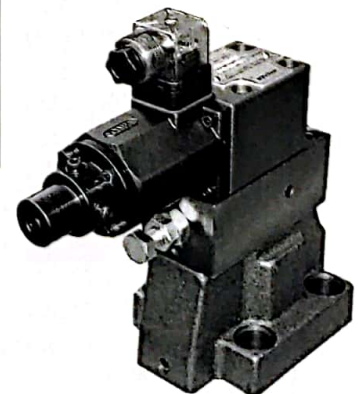


Graphic Symbols

EBG-03



EBG-06



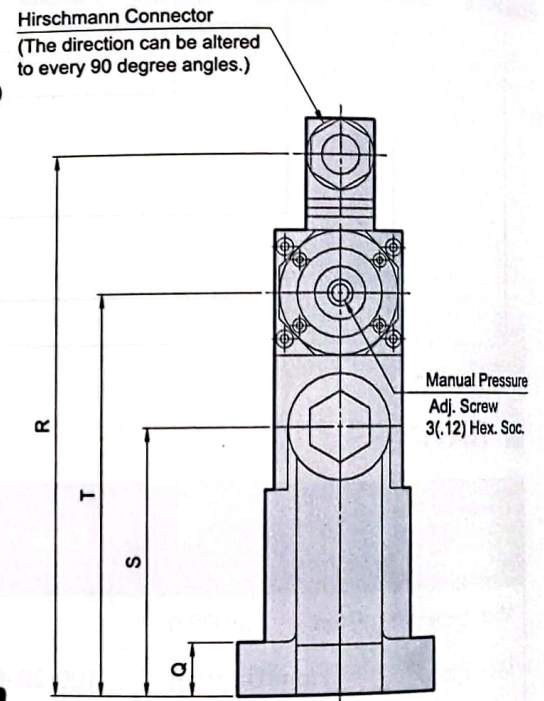
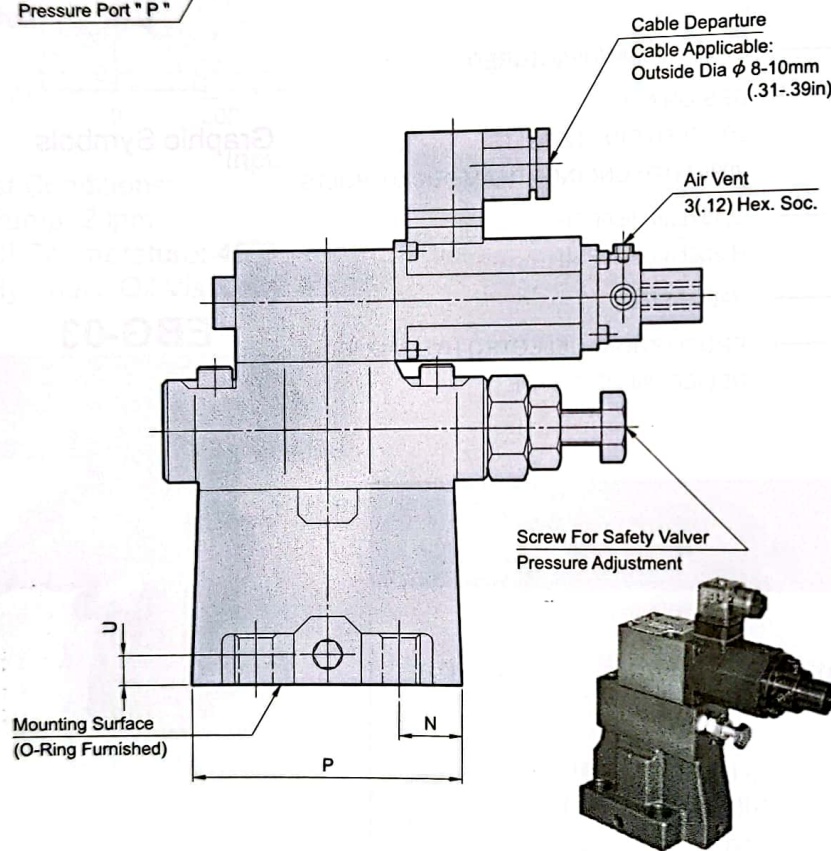
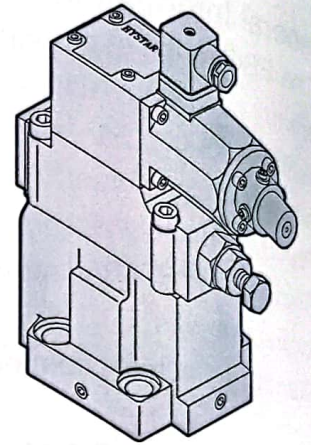
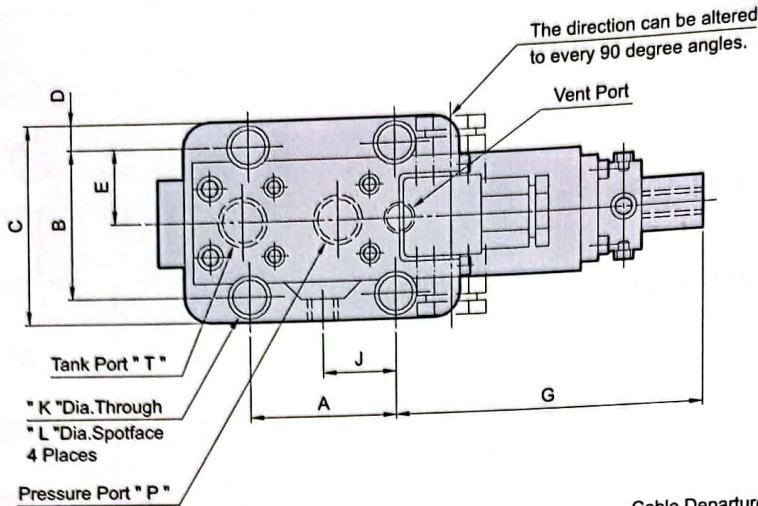
RATINGS

Model Number		EBG-03	EBG-06	EBG-10
Description				
Max. Operating Pres.	bar(PSI)		206(2987)	
Max. Flow	lpm(USgpm)	100(26.4)	200(52.8)	400(106)
Min. Flow	lpm(USgpm)		3(.79)	
Pres. Adj. Range	bar(PSI)		8(116)-137(1986) 10(145)-206(2987)	
Rated Current	mA		EBG-**-C-* :750 EBG-**-H-* :700	
Coil Resistance (At 20°C/35.2°F)	Ω		10	
Hysteresis			< 3%	
Repeatability			< 0.5%	
Weight	kg(lbs.)	7.1(15.64)	8.3(18.28)	10.7(23.57)

NOTE:

- 1.It is recommended that the return pipe is connected directly back to tank below the fluid level.
- 2.The specification chart above relates to performance achievable using the HystAR standard electronic controller type HNC-1085 and a pump flow of 100 lpm at oil temperature 45°C /113°F and viscosity 45 cSt.

EBG- * * - * *



Model No.	A	B	C	D	E	G	H	J	K	L	N	P	Q	R	S	T	U
EBG-03-20	53.8	53.8	79	11.1	27	115	206	27	13.5	21	26	106	21.5	219	105	152	13
EBG-03-2090	(2.12)	(2.12)	(3.11)	(.44)	(1.06)	(4.53)	(8.11)	(1.06)	(.53)	(.83)	(1.02)	(4.17)	(.85)	(8.62)	(4.13)	(5.98)	(.51)
EBG-06-20	66.7	70	98	14	35	117	210	33	17.5	26	36	124	26	220	105	153	13
EBG-06-2090	(2.63)	(2.76)	(3.86)	(.55)	(1.38)	(4.61)	(8.27)	(1.3)	(.69)	(1.02)	(1.42)	(4.88)	(1.02)	(8.66)	(4.13)	(6.02)	(.51)
EBG-10-20	89	82.6	120	18.7	41.3	122	225	45	21.5	32	45	155	34	246	132	178	18
EBG-10-2090	(3.5)	(3.25)	(4.72)	(.74)	(1.63)	(4.8)	(8.86)	(1.77)	(.85)	(1.26)	(1.77)	(6.1)	(1.34)	(9.69)	(5.2)	(7.01)	(.71)

Model No.	Name	Description	Tightening Torque	Code
EBG-03-20	Attachment Soc.Hd.Cap Screw:	M12X40LgX4pcs	100-123 Nm	20
EBG-03-2090	Attachment Soc.Hd.Cap Screw:	1/2-13UNCX1-1/2"LgX4pcs	868-1068 in.lbs	2090
EBG-06-20	Attachment Soc.Hd.Cap Screw:	M16X50LgX4pcs	286-354 Nm	20
EBG-06-2090	Attachment Soc.Hd.Cap Screw:	5/8-11UNCX2"LgX4pcs	2482-3073 in.lbs	2090
EBG-10-20	Attachment Soc.Hd.Cap Screw:	M20X60LgX4pcs	473-585 Nm	20
EBG-10-2090	Attachment Soc.Hd.Cap Screw:	3/4-10UNCX2-1/4"LgX4pcs	4106-5078 in.lbs	2090