

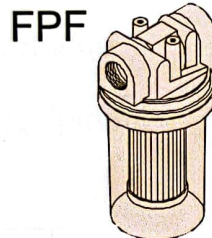
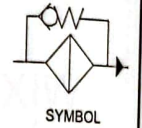
DIMENSIONS

FPF Series-Piping Type Return Filter

Threaded Connection: PT, BSP and NPT.

Port Size from 3/4" and 1"

Flow Rate: 70~110 lpm



Ordering Code

FPF

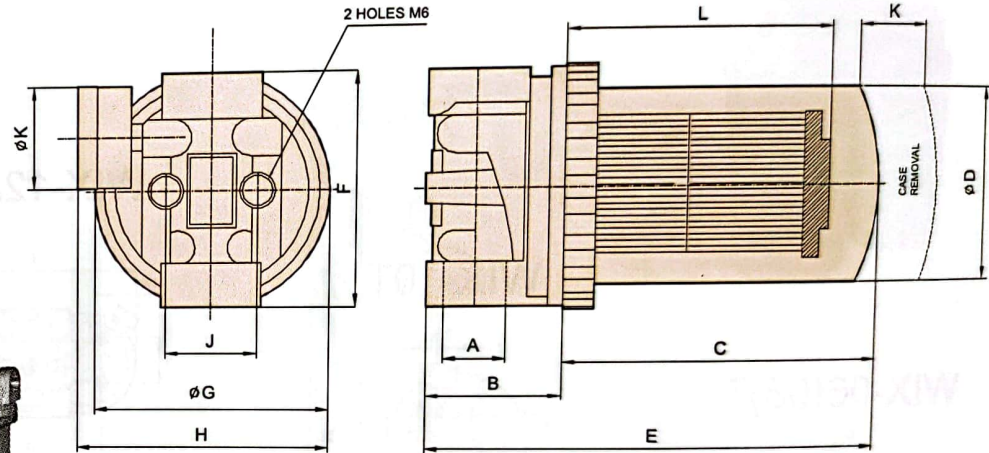
06

S

Element Type
S: All Stainless SUS304
None: Paper

Port Size
06: 3/4"
08: 1"

Series No.



Ratings

Series	φA PT (Rc)	B mm (in)	C mm (in)	D mm (in)	E mm (in)	F mm (in)	G mm (in)	H mm (in)	I mm (in)	J mm (in)	K mm (in)	ELEMENT		Flow lpm	Filtration	Max Pressure bar	Weight kg(lb)
												L mm (in)	M mm (in)				
FPF-06	3/4"	65 (2.55)	153 (6.02)	93 (3.66)	218 (8.58)	114 (4.48)	116 (4.56)	127 (5.00)	42 (1.65)	44 (1.73)	25 (.98)	122 (4.80)	70 (2.75)	70	Micron 10 μ ~25 μ	10	1.34 (2.97)
FPF-08	1"													90			
FPF-06S	3/4"													90	Mesh 100-200		
FPF-08S	1"													110			