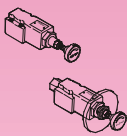
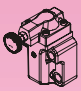

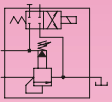
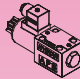




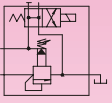
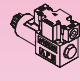
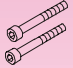
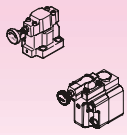
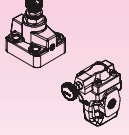

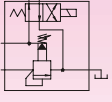


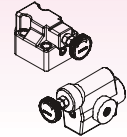
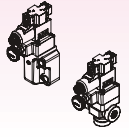
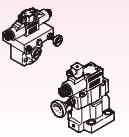
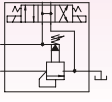



■ Ordering Code

**BS** - **G** - **03** - **H** - **2B3B** - **N** - **D2** - **20**

Series No	Type of Mounting	Valve Size	Pressure Range	Vent Type	Type of Ele. Conduit	Coil Voltage	Design No
DG/DT 	G Subplate Mounting 	03: (3/8") ISO 6264-AS-06-2-A	B 7~70 bar 	2B2B 	N: DIN Type 	AC A1: AC110 A2: AC220	20 (G) DIN 912 bolts 
BG/BT 	T Threaded Connection 	06: (3/4") ISO 6264-AS-08-2-A	C 35~140 bar 	2B3B 	None:Box Type 	DC D1: DC12 D2: DC24	2090 (G) UNC bolts (North America) 
SBG/BRG 	HBG/HBT 	10: (1-1/4") ISO 6264-AT-10-2-A	H 70~250 bar 	2B2 	Y:Lead-Wire 	RAC R1: RAC110 R2: RAC220	20 (T) PT Connection 
DBG/DBT 	BSG/BST 	BSG-2P/SBSG 		3C3 			2090 (T) NPT Connection (North America) 

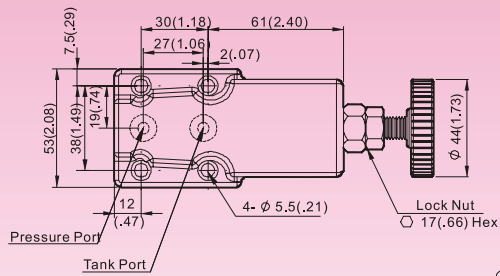
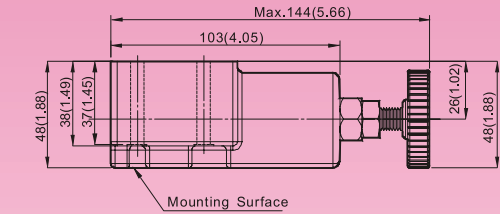
MODEL	DESCRIPTION	PAGE
DG-01	Remote Control Relief Valves(Sub-Plate Type) .....	248
DT-01	Remote Control Relief Valves(Threaded Type) .....	248
DG-02	Direct Type Relief Valves(Sub-Plate Type) .....	249
DT-02	Direct Type Relief Valves(Threaded Type) .....	249
BG-03-06-10	Pilot Operated Relief Valves(Sub-Plate Type) .....	250
BT-03-06-10	Pilot Operated Relief Valves(Threaded Type) .....	250
DBG-03	Pilot Operated Relief Valves(Sub-Plate Type) .....	251
DBT-03	Pilot Operated Relief Valves(Threaded Type) .....	251
HBG-03-06	Pilot Operated Relief Valves(Sub-Plate Type) High Pressure-315 bar .....	252
HBT-06	Pilot Operated Relief Valves(Threaded Type) High Pressure-315 bar .....	252
SBG-03-06-10	Low Noise Type Pilot Operated Relief Valves(Sub-Plate Type) .....	253
BRG-03-06-10	Back Valve(Sub-Plate Type) .....	253
BSG-03-06-10	Solenoid Controlled Relief Valves(Sub-Plate Type) .....	254
BST-03-06-10	Solenoid Controlled Relief Valves(Threaded Type) .....	254
BSG-03-06-10-2P	Solenoid Controlled Relief Valves-Dual Pressure (Sub-Plate Type) .....	255
SBSG-03-06-10	Low Noise Solenoid Controlled Relief Valves(Sub-Plate Type) .....	255



## DIMENSIONS

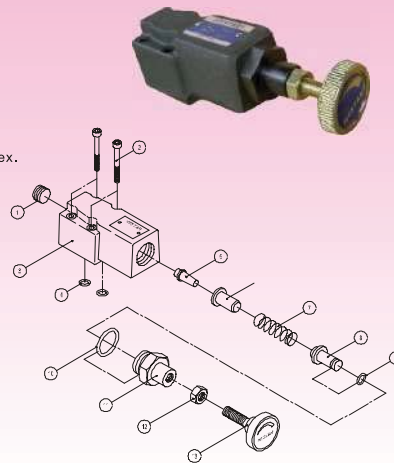
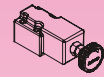
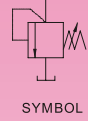
## MILLIMETERS(INCHES)

### DG-01 Remote Control Relief Valves(Sub-Plate Type)

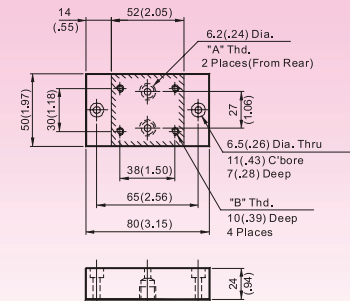


#### Valve Specifications & Attachment

Flow Rating	2 lpm (0.52 gpm)
Max. Pressure	250 bar (3600 psi)
Weight kg(lbs.)	1.4 (3.1)
CODE:20	M5 X45LgX4pcs
CODE:2090	10-24UNCX1-3/4"LgX4pcs
Mounting Surface O-Ring	P9 x 2 pc

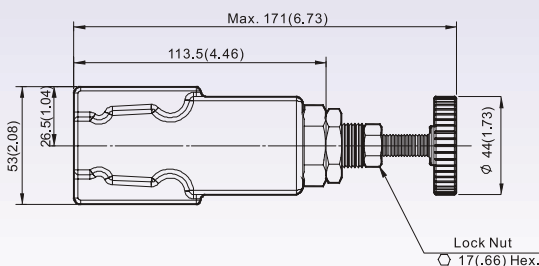
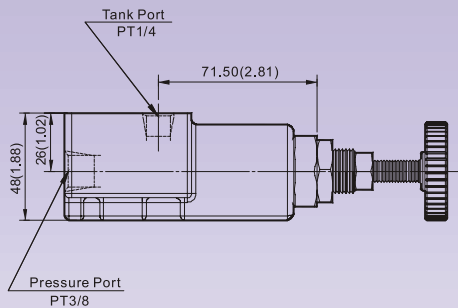


### DGM-01



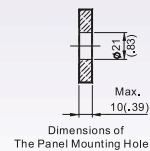
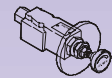
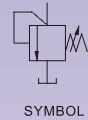
Model	A Thd.	B Thd.
DGM-01-20	PT1/4	M5
DGM-01-2090	NPT 1/4	No.10-24 UMC

### DT-01 Remote Control Relief Valves(Threaded Type)

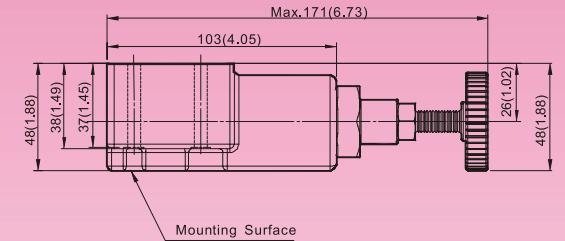


#### Valve Specifications & Attachment

Flow Rating	2 lpm (0.52 gpm)
Max. Pressure	250 bar (3600 psi)
Weight kg(lbs.)	1.6 (3.5)
CODE:20	1/4 PT
CODE:2090	1/4 NPT



### DG-02 Direct Type Relief Valves(Sub-Plate Type)

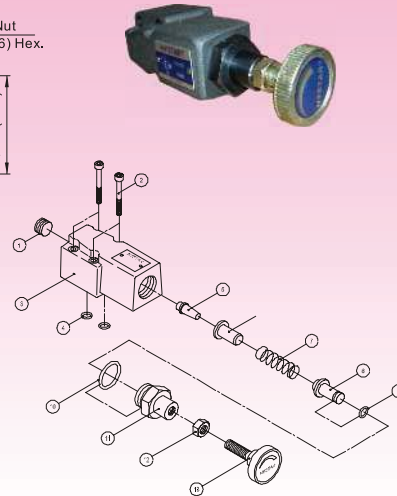
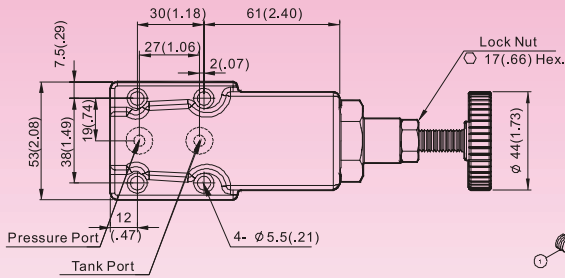
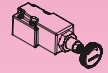


#### Valve Specifications & Attachment

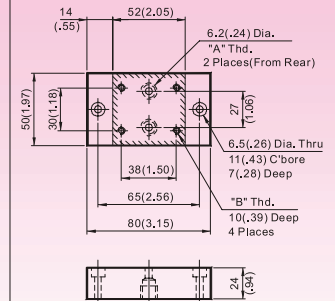
Flow rating	16 lpm (4.22 gpm)
Max. Pressure	250 bar (3600 psi)
Weight kg(lbs.)	1.5 (3.3)
CODE:20	M5 X45LgX4pcs
CODE:2090	10-24UNCX1-3/4"LgX4pcs
Mounting Surface O-Ring	P9 x 2 pc



SYMBOL

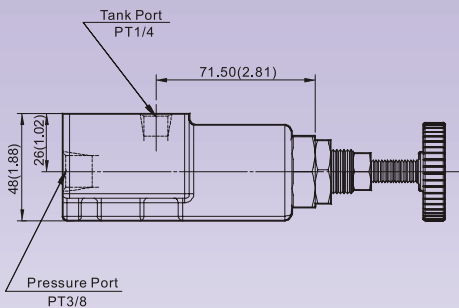


### DGM-02



Model	A Thd.	B Thd.
DGM-02-20	PT 1/4	M5
DGM-02-2090	NPT 1/4	No. 10-24 UMC

### DT-02 Direct Type Relief Valves(Threaded Type)

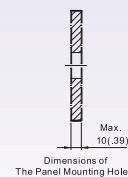
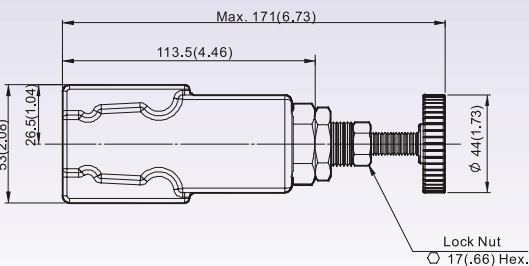
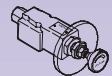


#### Valve Specifications & Attachment

Flow rating	16 lpm (4.22 gpm)
Max. Pressure	250 bar (3600 psi)
Weight kg(lbs.)	1.5 (3.3)
CODE:20	1/4 PT
CODE:2090	1/4 NPT



SYMBOL

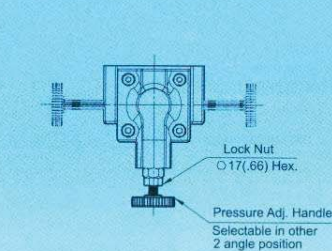




## DIMENSIONS

MILLIMETERS(INCHES)

### BG-03-06-10 Pilot Operated Relief Valves(Sub-Plate Type)

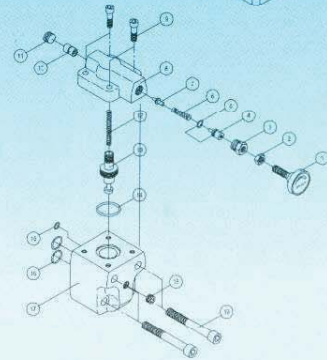
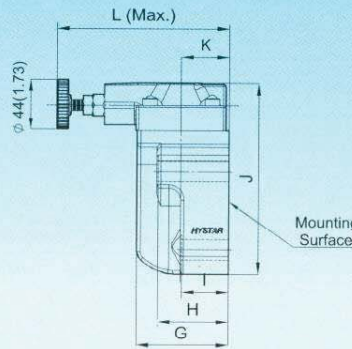
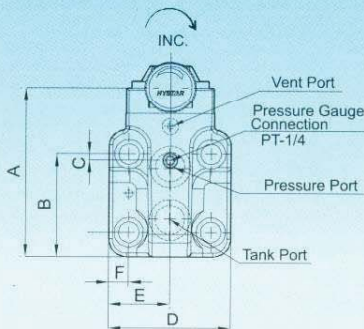


#### Valve Specifications & Attachment

Model	BG-03	BG-06	BG-10
Flow rating	100 lpm (26.4 gpm)	200 lpm (52.8 gpm)	400 lpm (106 gpm)
Max. Pressure	250 bar (3600 psi)	250 bar (3600 psi)	250 bar (3600 psi)
Weight kg/lbs.)	4.7 (10.4)	5.6 (12.3)	8.7 (19.2)
CODE 20	M12 X1.0gX2pc M12 X0.5gX2pc	M16 X0.5gX2pc M16 X0.5gX2pc	M20X1.5gX2pc M20X1.5gX2pc
CODE 2090	1/2-11UNCX2-14LgX2pc 1/2-11UNCX3-14LgX2pc	5/8-11UNCX2-14LgX2pc 5/8-11UNCX3-14LgX2pc	3/4-10UNCX2-12LgX2pc 3/4-10UNCX3-12LgX2pc
Surface O-Ring	P9X1pc, P20X2pc	P10AX1pc, P29X2pc	P10AX1pc, P36X2pc
ISO Mounting	6264-AR-06-2-A	6264-AS-08-2-A	6264-AT-10-2-A

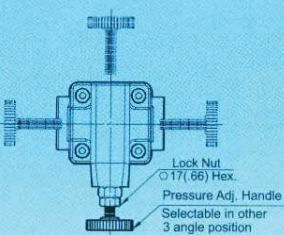


SYMBOL



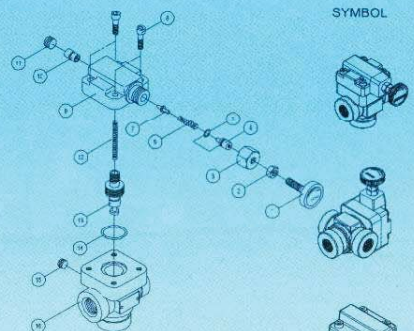
Model	A	B	C	D	E	F	G	H	I	J	K	L
BG-03	117(4.60)	75.5(2.97)	21.5(.84)	83(3.26)	41.5(1.63)	14.5(.57)	78(3.07)	77.5(3.05)	58.5(2.30)	136(5.35)	41(1.61)	146(5.74)
BG-06	145(5.70)	87.5(3.44)	5.5(.21)	104(4.09)	52(2.04)	17(.66)	78(3.07)	60(2.36)	40(1.57)	164(6.45)	41(1.61)	146(5.74)
BG-10	175(6.88)	106(4.17)	8(.31)	125(4.92)	62.5(2.46)	21.2(.83)	90(3.54)	69.5(2.73)	49.5(1.94)	195(7.67)	46(1.81)	155(6.10)

### BT-03-06-10 Pilot Operated Relief Valves(Threaded Type)

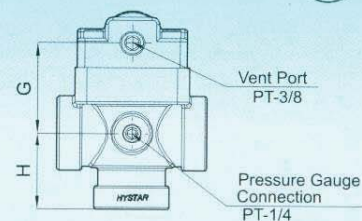
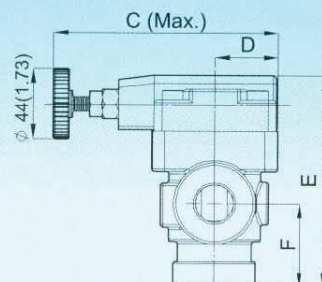
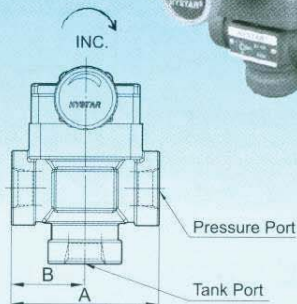


#### Valve Specifications & Attachment

Model	BT-03	BT-06	BT-10
Flow rating	100 lpm (26.4 gpm)	200 lpm (52.8 gpm)	400 lpm (106 gpm)
Max. Pressure	250 bar (3600 psi)	250 bar (3600 psi)	230 bar (3300 psi)
Weight kg/lbs.)	5 (11.0)	5 (11.0)	8.5 (18.7)
CODE 20	3/8 PT	3/4 PT	1 1/4 PT
CODE 2090	3/8 NPT	3/4 NPT	1 1/4 NPT

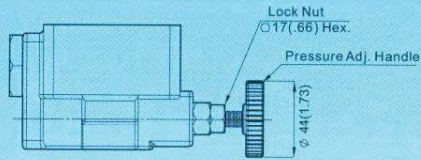


SYMBOL



Model	A	B	C	D	E	F	G	H
BT-03	77(3.03)	38.5(1.51)	132(5.19)	31.5(1.24)	123(4.84)	42(1.65)	65(2.55)	42(1.65)
BT-06	102(4.01)	51(2.00)	140(5.51)	39(1.53)	132(5.19)	52(2.04)	62(2.44)	52(2.04)
BT-10	140(5.51)	70(2.75)	152(5.98)	48(1.88)	191(7.51)	84(3.30)	86(3.38)	82(3.22)

## DBG-03 Pilot Operated Relief Valves(Sub-Plate Type)

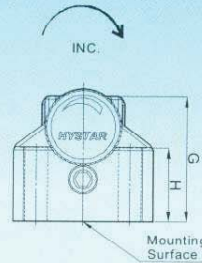
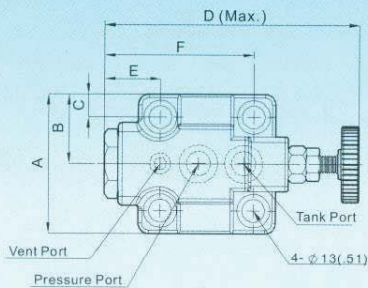


### Valve Specifications & Attachment

Model	DBG-03-20	DBG-03-30
Flow Rating	40 lpm (10.5 gpm)	40 lpm (10.5 gpm)
Max. Pressure	250 bar (3600 psi)	250 bar (3600 psi)
Weight kg(lbs.)	3 (6.6)	3.5 (7.7)
CODE:20	M10X55LgX4pc	M10X55LgX4pc
CODE:2090	3/8-16UNCX2-1/4LgX4pcs	3/8-16UNCX2-1/4LgX4pcs
Surface O-Ring	P9X1pc, P18X2pc	P9X1pc, P18X2pc

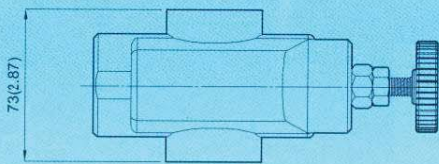


SYMBOL



Model	A	B	C	D	E	F	G	H
DBG-03-20	80(3.14)	40(1.57)	13(.51)	147(5.78)	86(3.38)	32(1.25)	72(2.83)	42(1.65)
DBG-03-30	80(3.14)	40(1.57)	13(.51)	165(6.49)	89(3.50)	35(1.37)	87(3.42)	42(1.65)

## DBT-03 Pilot Operated Relief Valves(Threaded Type)

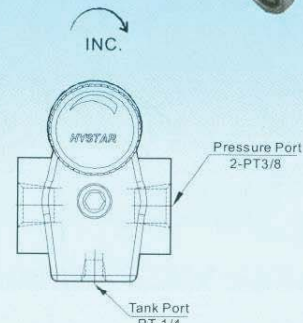
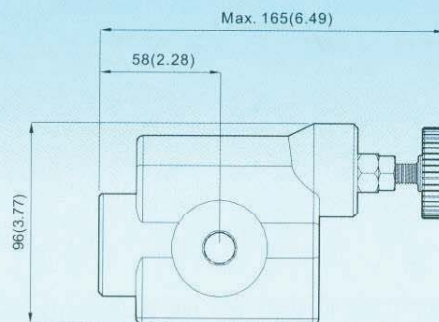


### Valve Specifications & Attachment

Model	DBT-03
Flow Rating	40 lpm (10.5 gpm)
Max. Pressure	250 bar (3600 psi)
Weight kg(lbs.)	3 (6.6)
CODE:20	3/8" PT
CODE:2090	3/8" NPT



SYMBOL





## DIMENSIONS

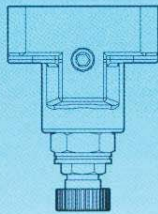
## MILLIMETERS(INCHES)

### HBG-03-06

### Pilot Operated Relief Valves(Sub-Plate Type) High Pressure-315 bar

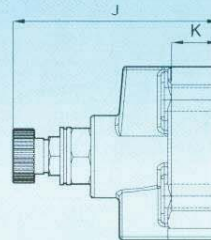
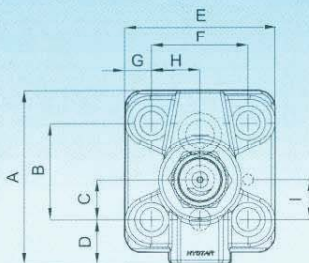


SYMBOL



#### Valve Specifications & Attachment

Model	HBG-03	HBG-06
Flow Rating	100 lpm (26.4 gpm)	200 lpm (52.8 gpm)
Max. Pressure	315 bar (4500 psi)	315 bar (4500 psi)
Weight kg(lbs.)	2.5 (5.5)	3 (6.6)
CODE:20	M12X45LgX4pcs	M16X45LgX4pcs
CODE:2090	1/2-13UNCX1-3/4LgX4pcs	5/8-11UNCX1-3/4LgX4pcs
Surface O-Ring	P9X1pc, P20X2pc	P9X1pc, P29X2pc



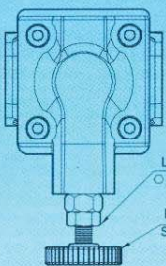
Model	A	B	C	D	E	F	G	H	I	J	K
HBG-03	97(3.81)	53.8(2.11)	22(.86)	25.1(.98)	84(3.30)	53.8(2.11)	15(.59)	26.9(1.05)	22(.86)	118(4.64)	26(1.02)
HBG-06	115(4.52)	66.5(2.61)	11(.43)	33.5(1.31)	100(3.93)	70(2.75)	15(.59)	35(1.37)	33.3(1.31)	118(4.64)	24(.94)

### HBT-06

### Pilot Operated Relief Valves(Threaded Type) High Pressure-315 bar



SYMBOL

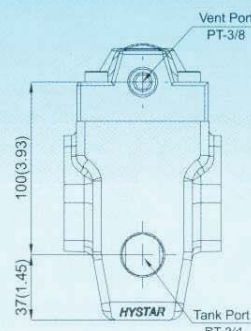
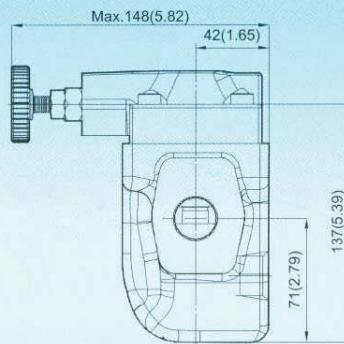
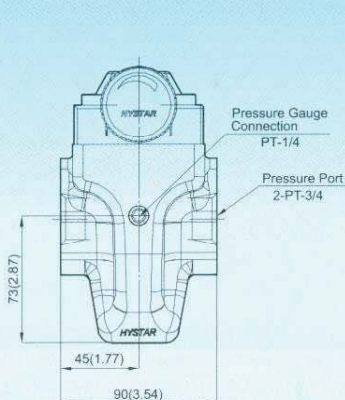


Lock Nut  
 O 17(.66) Hex.  
 Pressure Adj. Handle  
 Selectable in other  
 3 angle position

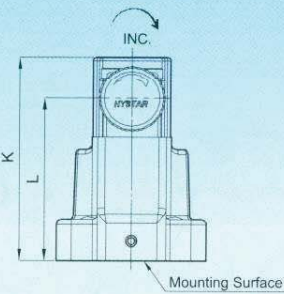
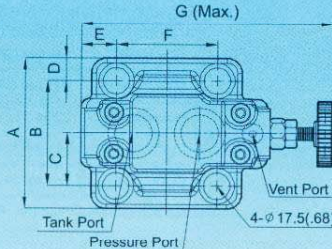
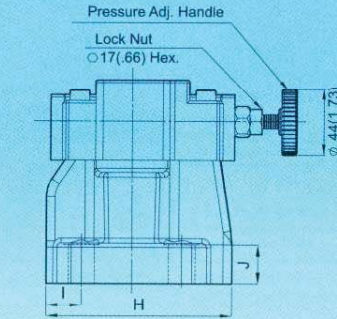


#### Valve Specifications & Attachment

Model	HBT-06
Flow rating	125 lpm (26.4 gpm)
Max. Pressure	315 bar (4500 psi)
Weight kg(lbs.)	5.2 ( )
CODE:20	3/4" PT
CODE:2090	3/4" NPT

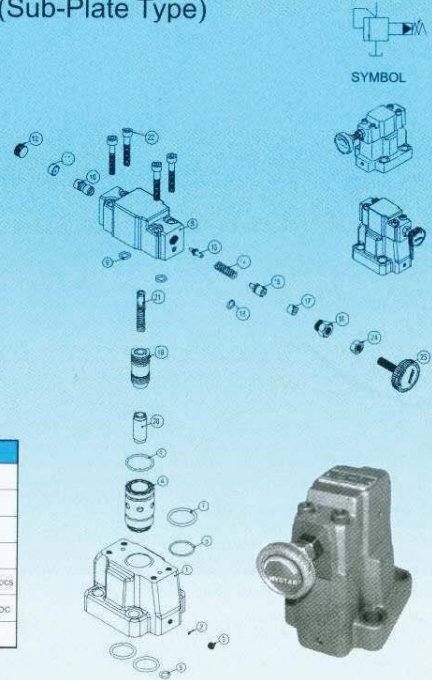


### SBG-03-06-10 Low Noise Type Pilot Operated Relief Valves(Sub-Plate Type)



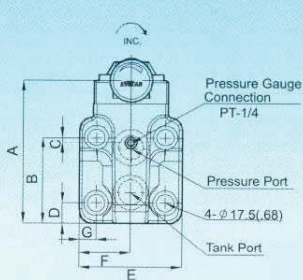
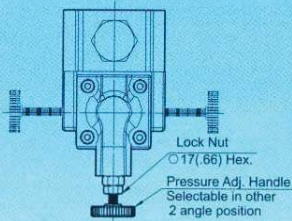
#### Valve Specifications & Attachment

Model	SBG-03	SBC-06	SBC-10
Flow Rating	100 lpm (26.4 gpm)	200 lpm (52.8 gpm)	400 lpm (106 gpm)
Max. Pressure	250 bar (3600 psi)	250 bar (3600 psi)	250 bar (3600 psi)
Weight kg(lbs.)	5 (11.0)	6.2 (13.6)	9.5 (20.9)
CODE:20	M12X40LgX4pcs	M16X50LgX4pcs	M20X60LgX4pcs
CODE:2090	1/2-13UNCX1-1/2LgX4pcs	5/8-11UNCX2LgX4pcs	3/4-10UNCX2-1/4LgX4pcs
Surface O-Ring	P9X1pc, P20X2pc	P10AX1pc, P28X2pc	P10AX1pc, P36X2pc
ISO Mounting	6264-AR-06-2-A	6264-AS-08-2-A	6264-AT-10-2-A



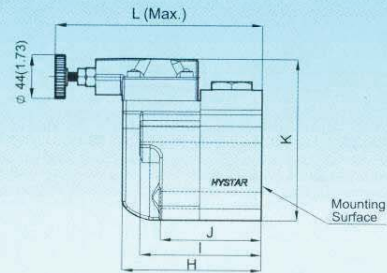
Model	A	B	C	D	E	F	G	H	I	J	K	L
SBG-03	78(3.07)	54(2.12)	27(1.06)	12(.47)	34.5(1.35)	54(2.12)	165(6.49)	107(4.21)	26.5(1.04)	23(.90)	134(5.27)	108(4.25)
SBG-06	100(3.93)	70(2.75)	35(1.37)	15(.59)	23.5(.92)	67(2.63)	167(6.57)	124(4.88)	23.5(.92)	26(1.02)	136(5.35)	108(4.25)
SBG-10	127(5.00)	82.6(3.25)	41.3(1.62)	22.2(.87)	20.5(.80)	89(3.50)	185(7.28)	155(6.10)	20.5(.80)	36(1.41)	145(5.70)	120(4.72)

### BRG-03-06-10 Back Valve(Sub-Plate Type)



#### Valve Specifications & Attachment

Model	BRG-03	BRG-06	BRG-10
Flow Rating	40 lpm (10.5 gpm)	100 lpm (26.4 gpm)	200 lpm (52.8 gpm)
Max. Pressure	250 bar (3600 psi)	250 bar (3600 psi)	250 bar (3600 psi)
Weight kg(lbs.)	7.5 (16.5)	11 (24.2)	19 (41.8)
CODE:20	M12 X110LgX2pcs M12 X130LgX2pcs	M16 X120LgX2pcs M16 X140LgX2pcs	M20 X140LgX2pcs M20 X160LgX2pcs
CODE:2090	1/2-13UNCX4-1/2LgX2pcs 1/2-13UNCX5LgX2pcs	5/8-11UNCX4-3/4LgX2pcs 5/8-11UNCX5-3/4LgX2pcs	3/4-10UNCX5-3/4LgX2pcs 3/4-10UNCX6-1/2LgX2pcs
Surface O-Ring	P9X1pc, P20X2pc	P10AX1pc, P29X2pc	P10AX1pc, P36X2pc
ISO Mounting	6264-AR-06-2-A	6264-AS-08-2-A	6264-AT-10-2-A



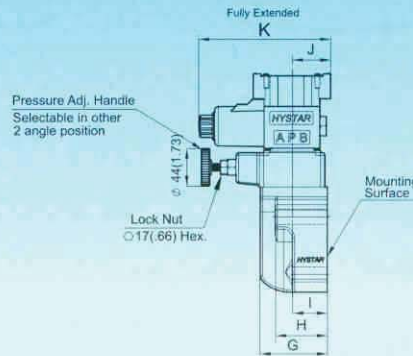
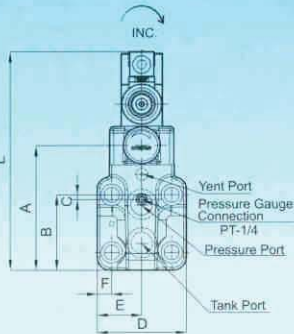
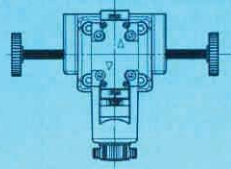
Model	A	B	C	D	E	F	G	H	I	J	K	L
BRG-03	122(4.80)	80.5(3.16)	21.5(.84)	26.6(1.04)	84(3.30)	42(1.65)	15.1(.59)	118(4.64)	118(4.64)	99(3.89)	141(5.55)	187(7.36)
BRG-06	145(5.70)	87.5(3.44)	5.5(.21)	20.5(.80)	104(4.09)	52(2.04)	17(.66)	140(5.51)	122(4.80)	102(4.01)	164(6.45)	209(8.22)
BRG-10	181(7.12)	112.5(4.42)	8(.31)	23.5(.92)	125(4.92)	62.5(2.46)	21.2(.83)	156(6.14)	143(5.62)	123(4.84)	202(7.95)	228(8.97)



## DIMENSIONS

MILLIMETERS(INCHES)

### BSG-03-06-10 Solenoid Controlled Relief Valves(Sub-Plate Type)



SYMBOL



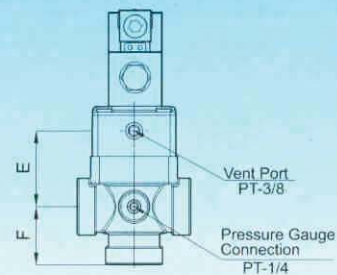
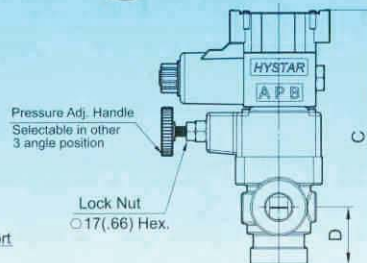
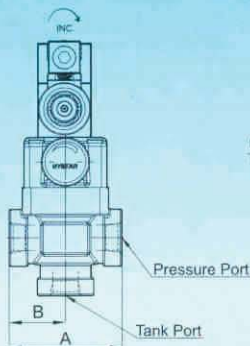
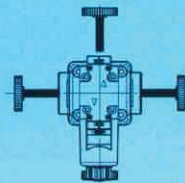
#### Valve Specifications & Attachment

Model	BSG-03	BSG-06	BSG-10
Flow Rating	100 lpm (26.4 gpm)	200 lpm (52.8 gpm)	400 lpm (106 gpm)
Max. Pressure	250 bar (3600 psi)	250 bar (3600 psi)	250 bar (3600 psi)
Weight kg(lbs.)	7.1 (15.6)	8.0 (17.6)	11.3 (24.9)
CODE 20	M12 x 1.75 g 2pc M12 x 1.50 g 2pc	M16 x 1.50 g 2pc M16 x 1.50 g 2pc	M20 x 1.50 g 2pc M20 x 1.50 g 2pc
CODE 2090	1/2-13UNF x 3-1/4 g 2pc 1/2-13UNF x 3-1/4 g 2pc	3/8-11UNF x 2-1/8 g 2pc 3/8-11UNF x 2-1/8 g 2pc	3/4-10UNF x 3-1/2 g 2pc 3/4-10UNF x 3-1/2 g 2pc
Surface O-Ring	P9X1pc, P20X2pc	P10AX1pc, P29X2pc	P10AX1pc, P36X2pc
ISO Mounting	6264-AR-06-2-A	6264-AS-08-2-A	6264-AT-10-2-A

Dimensions for models with Din connector, reference page 14 for details.

Model	A	B	C	D	E	F	G	H	I	J	K	L
BSG-03	117(4.60)	75.5(2.97)	21.5(.84)	83(3.26)	41.5(1.63)	14.5(.57)	78(3.07)	77.5(3.05)	58.5(2.30)	45(1.77)	153(6.02)	226(8.89)
BSG-06	145(5.70)	87.5(3.44)	5.5(.21)	104(4.09)	52(2.04)	17(.66)	78(3.07)	60(2.36)	40(1.57)	45(1.77)	153(6.02)	255(10.0)
BSG-10	175(6.88)	106(4.17)	8(.31)	125(4.92)	62.5(2.46)	21.2(.83)	90(3.54)	69.5(2.73)	49.5(1.94)	50(1.96)	153(6.02)	285(11.2)

### BST-03-06-10 Solenoid Controlled Relief Valves(Threaded Type)



SYMBOL



#### Valve Specifications & Attachment

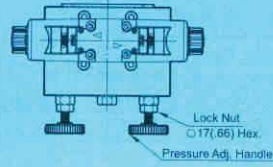
Model	BST-03	BST-06	BST-10
Flow Rating	100 lpm (26.4 gpm)	200 lpm (52.8 gpm)	400 lpm (106 gpm)
Max. Pressure	250 bar (3600 psi)	250 bar (3600 psi)	250 bar (3600 psi)
Weight kg(lbs.)	7.4 (16.3)	7.4 (16.3)	11.1 (24.5)
CODE 20	3/8 PT	3/4 PT	1 1/4 PT
CODE 2090	3/8 NPT	3/4 NPT	1 1/4 NPT

Dimensions for models with Din connector, reference page 14 for details.

Model	A	B	C	D	E	F
BST-03	102(4.01)	51(2.00)	230(9.05)	52(2.04)	68(2.67)	52(2.04)
BST-06	120(4.72)	51(2.00)	230(9.05)	52(2.04)	68(2.67)	52(2.04)
BST-10	140(5.51)	70(2.75)	284(11.1)	84(3.30)	86(3.38)	82(3.22)



### BSG-03-06-10-2P Solenoid Controlled Relief Valves-Dual Pressure (Sub-Plate Type)

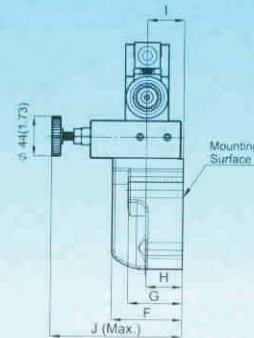
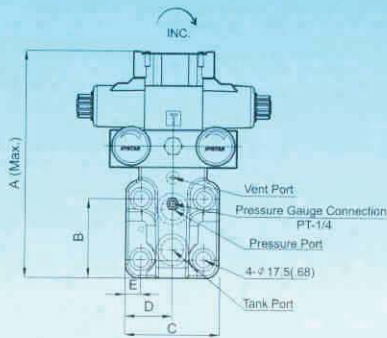


#### Valve Specifications & Attachment

Model	BSG-03	BSG-06	BSG-10
Flow Rating	100 lpm (26.4 gpm)	200 lpm (52.8 gpm)	400 lpm (106 gpm)
Max. Pressure	250 bar (3600 psi)	250 bar (3600 psi)	250 bar (3600 psi)
Weight kg(lbs.)	7.1 (15.6)	8.0 (17.6)	11.3 (24.9)
CODE:20	M12 X70LgK2pc M12 X98LgK2pc	M16 X80LgK2pc M16 X80LgK2pc	M20X110LgK2pc M20X90LgK2pc
CODE:2090	1/2-13UNCX2-3/4LgK2pc 1/2-13UNCX3-3/4LgK2pc	3/8-11UNCX2-1/4LgK2pc 1/2-13UNCX3-1/4LgK2pc	3/4-10UNCX2-3/4LgK2pc 3/4-10UNCX3-1/2LgK2pc
Surface O-Ring	P9X1pc, P20X2pc	P10AX1pc, P29X2pc	P10AX1pc, P36X2pc
ISO Mounting	6264-AR-06-2-A	6264-AS-08-2-A	6264-AT-10-2-A



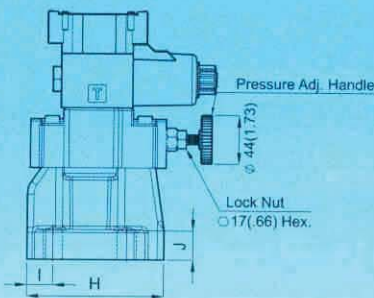
SYMBOL



■ Dimensions for models with Din connector, reference page 14 for details.

Model	A	B	C	D	E	F	G	H	I	J
BSG-03-2P	224(8.81)	75.5(2.97)	83(3.26)	41.5(1.63)	14.5(.57)	70(2.75)	77.5(3.05)	40(1.57)	41(1.61)	146(5.74)
BSG-06-2P	251.5(9.90)	87.5(3.44)	104(4.09)	52(2.04)	17(.66)	78(3.07)	60(2.36)	40(1.57)	41(1.61)	146(5.74)
BSG-10-2P	289.5(11.3)	106(4.17)	125(4.92)	62.5(2.46)	21(2.83)	83(3.26)	69.5(2.73)	49.5(1.94)	46(1.81)	280(11.0)

### SBSG-03-06-10 Low Noise Type Solenoid Controlled Relief Valves(Sub-Plate Type)

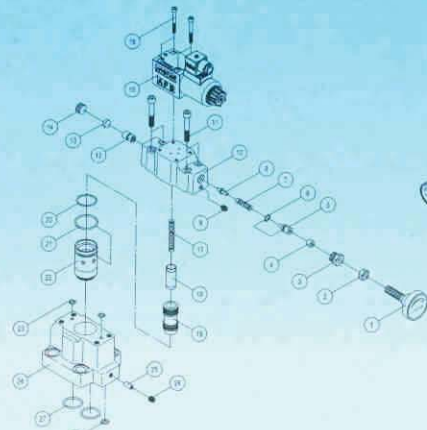
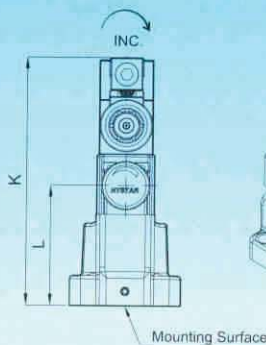
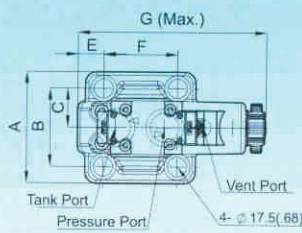


#### Valve Specifications & Attachment

Model	SBSG-03	SBSG-06	SBSG-10
Flow Rating	100 lpm (26.4 gpm)	200 lpm (52.8 gpm)	400 lpm (106 gpm)
Max. Pressure	250 bar (3600 psi)	250 bar (3600 psi)	250 bar (3600 psi)
Weight kg(lbs.)	6.3 (13.9)	7.2 (15.9)	12.7 (28.0)
CODE:20	M12 X60LgK4pc	M16 X50LgK4pc	M20 X60LgK4pc
CODE:2090	1/2-13UNCX1-1/4LgK4pc	5/8-11UNCX2-1/4LgK4pc	3/4-10UNCX2-1/4LgK4pc
Surface O-Ring	P9X1pc, P20X2pc	P10AX1pc, P29X2pc	P10AX1pc, P36X2pc
ISO Mounting	6264-AR-06-2-A	6264-AS-08-2-A	6264-AT-10-2-A



SYMBOL



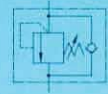
■ Dimensions for models with Din connector, reference page 14 for details.

Model	A	B	C	D	E	F	G	H	I	J	K
S-BSG-03	78(3.07)	54(2.12)	27(1.06)	12(.47)	34.5(1.35)	54(2.12)	169(6.65)	107(4.21)	26.5(1.04)	23(.90)	222(8.74)
S-BSG-06	100(3.93)	70(2.75)	35(1.37)	15(.59)	23.5(.92)	67(2.63)	171(6.73)	124(4.88)	23.5(.92)	26(1.02)	224(8.81)
S-BSG-10	127(5.00)	82.6(3.25)	41(1.61)	22.2(.87)	20.5(.80)	89(3.50)	190(7.48)	155(6.10)	20.5(.80)	36(1.41)	273(10.7)








## Ordering Code

**HC** - **T** - **03** - **C** - **3** - **20**



SYMBOL

Series No	Type of Mounting	Valve Size	Pressure Range	Valve Type	Design No
H: H Type Pressure Control Valves  HG/HT	G Subplate Mounting  	03: (3/8") ISO 5781-AG-06-2-A	L: 2.5~4.5 bar (35~65 PSI)  M: 4.5~9 bar (65~125 PSI)  N: 9~18 bar (125~250 PSI)	Type 1: Counterbalance Valve	20 (G) DIN 912 bolts  
	T Threaded Connection  			Type 2: Sequence and Check Valve	
HC: HC Type Pressure Control Valves  HCG/HCT		10: (1-1/4") ISO 5781-AJ-10-2-A	A: 18~35 bar (250~500 PSI)  B: 35~70 bar (500~1000 PSI)  C: 70~140 bar (1000~2000 PSI)  H: 140~210 bar (2000~3000 PSI)  	Type 3: Sequence and Check Valve	20 (T) PT Connection  
				Type 4: Counterbalance Valve	

HG



HT



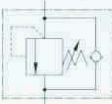


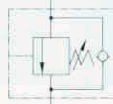
HCG



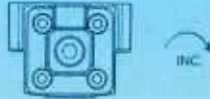
HCT



MODEL	DESCRIPTION	PAGE
HG-03-06-10	H Type Pressure Control Valves(Sub-Plate Type)	257
HT-03-06-10	H Type Pressure Control Valves(Threaded Type)	257
HCG-03-06-10	HC Type Pressure Control Valves(Sub-Plate Type)	258
HCT-03-06-10	HC Type Pressure Control Valves(Threaded Type)	258

Valve Size	Type 1	Type 2	Type 3	Type 4
Description	Counterbalance Valve Internal Pilot-Internal Drain	Sequence and Check Valve Internal Pilot-External Drain	Sequence and Check Valve External Pilot-External Drain	Counterbalance Valve External Pilot-Internal Drain
&				
Symbol				

### HG-03-06-10 H Type Pressure Control Valves(Sub-Plate Type)



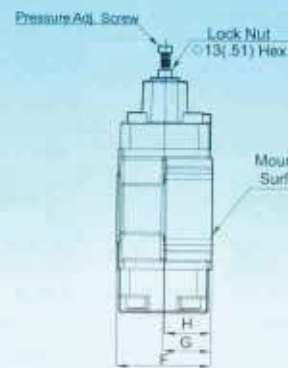
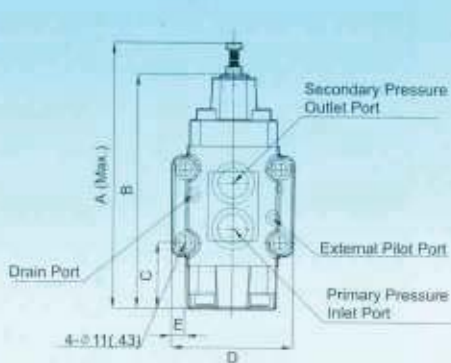
INC

#### Valve Specifications & Attachment

Model	HG-03	HG-06	HG-10
Flow Rating	90 lpm (13.2 gpm)	120 lpm (33 gpm)	250 lpm (66 gpm)
Max. Pressure	210 bar (3000 psi)	210 bar (3000 psi)	210 bar (3000 psi)
Weight (g/ lbs.)	4.0 (0.8)	6.1 (1.3)	11.0 (2.4)
CODE 20	M16x1.5/1.5 g/1.5 g	M16x1.5/1.5 g/1.5 g	M16x1.5/1.5 g/1.5 g
CODE 20R	28-16x1.5/1.5 g/1.5 g	28-16x1.5/1.5 g/1.5 g	28-16x1.5/1.5 g/1.5 g
Surface O-Ring	P582pc, P5842pc	P602pc, P6042pc	P582pc, P5842pc
ISO Mounting	5701-AG-06-2-A	5701-AG-06-2-A	5701-AG-10-2-A

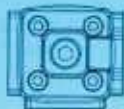


SYMBOL



Model	A	B	C	D	E	F	G	H	I	J
HG-03	192(7.55)	168(6.61)	50.6(1.99)	89(3.50)	11.2(.44)	69(2.71)	42(1.65)	35(1.37)	13(.51)	13(.51)
HG-06	223(8.77)	196(7.71)	60(2.36)	102(4.01)	11.3(.44)	79(3.11)	40(1.57)	39(1.53)	13(.51)	13(.51)
HG-10	266(10.4)	239(9.40)	65(2.55)	119(4.68)	11(.43)	96(3.77)	48.5(1.90)	40(1.57)	5(.19)	17(.66)

### HT-03-06-10 H Type Pressure Control Valves(Threaded Type)

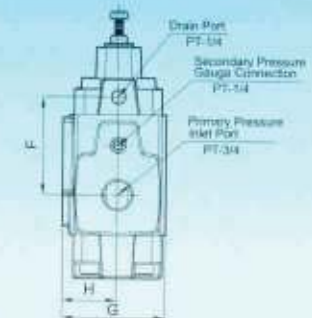
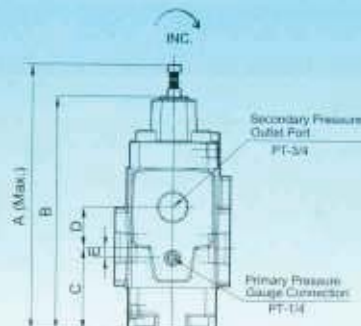
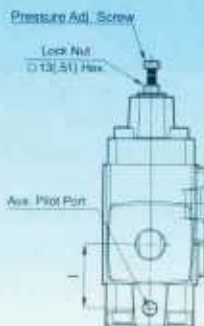


#### Valve Specifications & Attachment

Model	HT-03	HT-06	HT-10
Flow Rating	50 lpm (13.2 gpm)	120 lpm (33 gpm)	250 lpm (66 gpm)
Max. Pressure	210 bar (3000 psi)	210 bar (3000 psi)	210 bar (3000 psi)
Weight (g/ lbs.)	3.7 (0.8)	6.2 (1.3)	12.0 (2.6)
CODE 20	3/8 PT	3/8 PT	1/2 PT
CODE 20R	3/8 NPT	3/8 NPT	1/2 NPT



SYMBOL



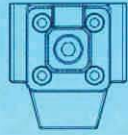
Model	A	B	C	D	E	F	G	H	I	J	K	L
HT-03	192(7.55)	167.5(6.59)	58(2.28)	30(1.18)	0	68(2.71)	74(2.91)	41.5(1.63)	45(1.77)	13(.51)	13(.51)	1/8
HT-06	223(8.77)	196(7.71)	69(2.71)	34(1.33)	6(.31)	82(3.22)	86(3.38)	46(1.81)	53(2.08)	13(.51)	13(.51)	1/4
HT-10	266(10.4)	239(9.40)	87(3.42)	41(1.61)	11(.43)	58(2.28)	110(4.33)	65(2.55)	68(2.67)	5(.19)	17(.66)	1/4



## DIMENSIONS

MILLIMETERS(INCHES)

### HCG-03-06-10 HC Type Pressure Control Valves(Sub-Plate Type)

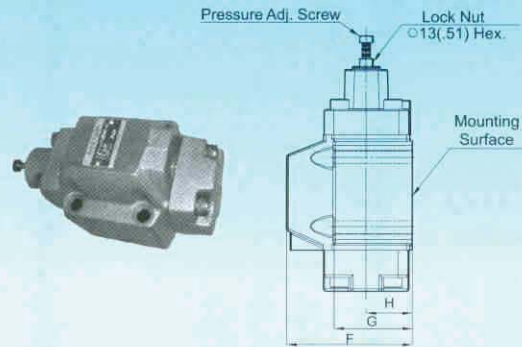
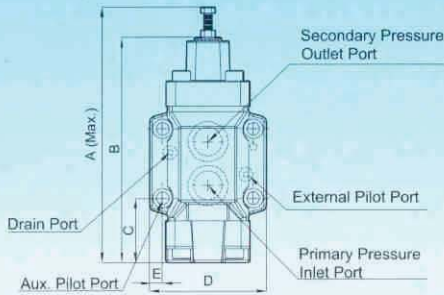


SYMBOL



#### Valve Specifications & Attachment

Model	HCG-03	HCG-06	HCG-10
Flow Rating	50 lpm (13.2 gpm)	125 lpm (33 gpm)	250 lpm (66 gpm)
Max. Pressure	210 bar (3000 psi)	210 bar (3000 psi)	210 bar (3000 psi)
Weight kg(lbs.)	4.8 (10.6)	7.4 (16.3)	13.8 (30.4)
CODE-20	M10 X70LgX4pcs	M10 X80LgX4pcs	M10X90LgX6pcs
CODE-2090	3/8-16UNFCK2-3/4LgX4pcs	3/8-16UNFCK3-1/4LgX4pcs	3/8-16UNFCK3-1/2LgX6pcs
Surface O-Ring	P9X2pc, P18X2pc	P9X2pc, P28X2pc	P9X2pc, P38X2pc
ISO Mounting	5781-AG-06-2-A	5781-AG-08-2-A	5781-AJ-10-2-A

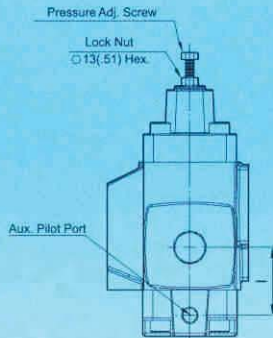


Model	A	B	C	D	E	F	G	H	I	J
HCG-03	192(7.55)	167.5(6.59)	50.6(1.99)	89(3.50)	11.2(.44)	90(3.54)	58(2.28)	35(1.37)	13(.51)	13(.51)
HCG-06	222(8.74)	196(7.71)	60(2.36)	102(4.01)	11.3(.44)	109(4.29)	68(2.67)	40(1.57)	13(.51)	13(.51)
HCG-10	266(10.4)	239(9.40)	65(2.55)	119(4.68)	11.1(.43)	131(5.15)	80(3.14)	48(1.88)	5(.19)	17(.66)

### HCT-03-06-10 HC Type Pressure Control Valves(Threaded Type)



INC.

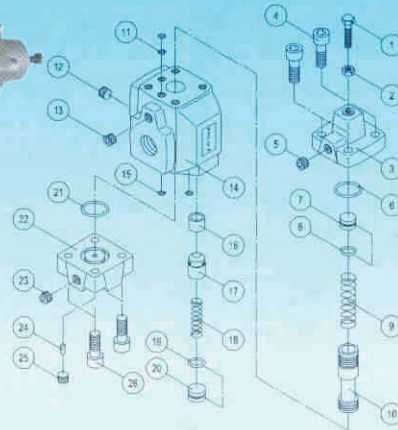
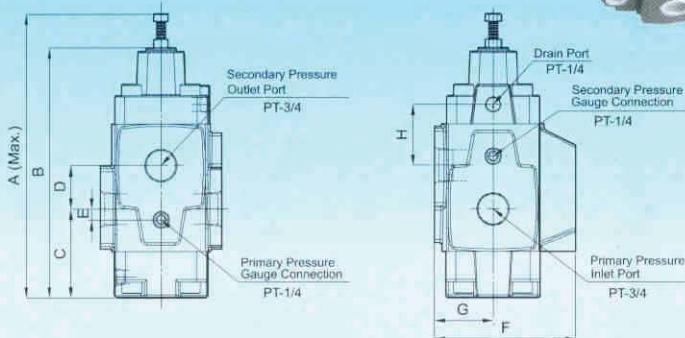


SYMBOL



#### Valve Specifications & Attachment

Model	HCT-03	HCT-06	HCT-10
Flow Rating	50 lpm (13.2 gpm)	125 lpm (33 gpm)	250 lpm (66 gpm)
Max. Pressure	210 bar (3000 psi)	210 bar (3000 psi)	210 bar (3000 psi)
Weight kg(lbs.)	4.1 (9.0)	7.1 (15.6)	13.8 (30.4)
CODE-20	3/8 PT	3/4 PT	1 1/4 PT
CODE-2090	3/8 NPT	3/4 NPT	1 1/4 NPT












Model	A	B	C	D	E	F	G	H	I	J	K	L
HCT-03	192(7.55)	168(6.61)	58(2.28)	30(1.18)	0	95(3.74)	41.5(1.63)	39(1.53)	45(1.77)	13(.51)	13(.51)	1/8
HCT-06	223(8.77)	196(7.71)	69.5(2.73)	34(1.33)	8.3(.32)	111(4.37)	46(1.81)	48(1.88)	53.5(2.08)	13(.51)	13(.51)	1/4
HCT-10	266(10.4)	246(9.68)	87(3.42)	40(1.57)	15(.59)	154(6.06)	64(2.51)	58(2.28)	68(2.67)	5(.19)	17(.66)	1/4

■ Ordering Code

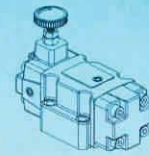
**RC** - **T** - **03** - **B** - **20**



SYMBOL

Series No	Type of Mounting	Valve Size	Pressure Range	Design No
R: Pressure Reducing Valves RG/RT	G Subplate Mounting 	03: (3/8") ISO 5781-AG-06-2-A	B: 7-70 bar (100-1000 PSI) 	20 (G) DIN 912 bolts 
RC: Pressure Reducing and Check Valves RCG/RCT	T Threaded Connection 	06: (3/4") ISO 5781-AH-08-2-A	C: 35-140 bar (500-2000 PSI) 	2090 (G) UNC bolts (North America) 
			H: 70-225 bar (1000-3200 PSI) 	20 (T) PT Connection  PT
				2090 (T) NPT Connection (North America)  NPT

RG



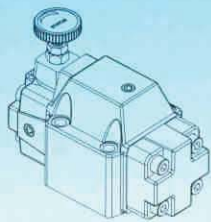
RT



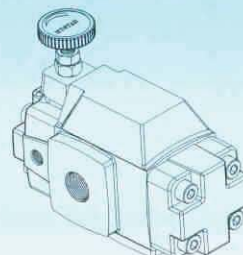
D

MODEL	DESCRIPTION	PAGE
RG-03-06	Pressure Reducing Valves(Sub-Plate Type) .....	260
RT-03-06	Pressure Reducing Valves(Threaded Type) .....	260
RCG-03-06	Pressure Reducing with Check Valves(Sub-Plate Type) .....	261
RCT-03-06	Pressure Reducing with Check Valves(Threaded Type) .....	261

RCG



RCT



SYMBOL

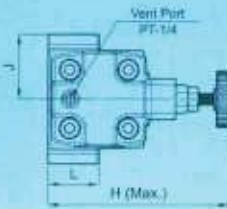




## DIMENSIONS

MILLIMETERS(INCHES)

### RG-03-06 Pressure Reducing Valves(Sub-Plate Type)

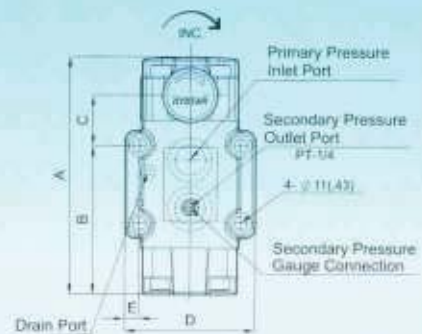
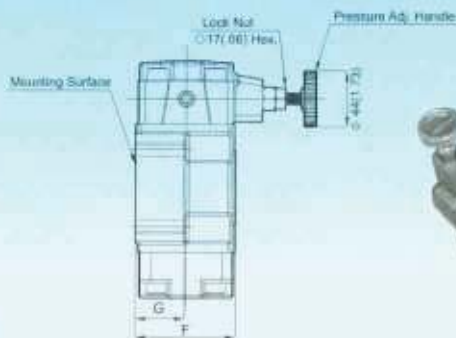


#### Valve Specifications & Attachment

Model	RG-03	RG-06
Flow Rating	50 lpm (13.2 gpm)	125 lpm (33 gpm)
Max. Pressure	250 bar (3600 psi)	250 bar (3600 psi)
Weight kg(lbs.)	4.5 (9.9)	8.8 (19.0)
CODE:20	M10 X0.25X10	M10 X0.25X10
CODE:2090	1/8" NPT X 1/2" NPT	1/8" NPT X 1/2" NPT
Surface O-Ring	P9X1pc, P18X2pc	P9X2pc, P20X2pc
ISO Mounting	5781-AG-06-2-A	5781-AH-08-2-A

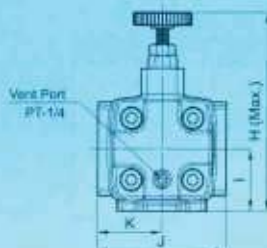


SYMBOL



Model	A	B	C	D	E	F	G	H	I	J
RG-03	150(6.25)	93.5(3.68)	40.5(1.59)	89(3.50)	11.2(.44)	69(2.71)	42(1.65)	145.5(5.72)	43(1.69)	44.5(1.75)
RG-06	186(7.32)	116.5(4.58)	40(1.57)	102(4.01)	11.3(.44)	79(3.11)	39(1.53)	143(5.62)	40(1.57)	51(2.00)

### RT-03-06 Pressure Reducing Valves(Threaded Type)

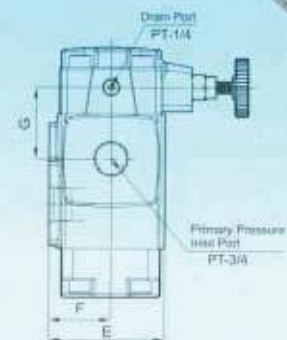
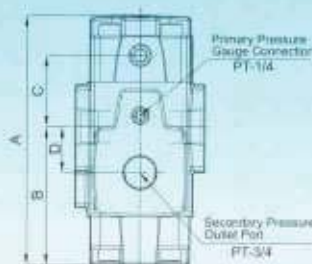
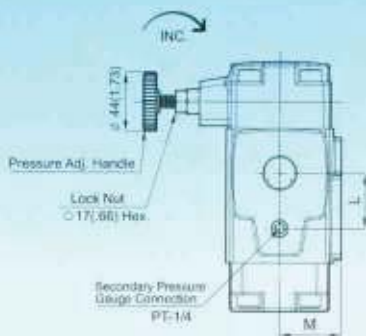


#### Valve Specifications & Attachment

Model	RT-03	RT-06
Flow Rating	50 lpm (13.2 gpm)	125 lpm (33 gpm)
Max. Pressure	250 bar (3600 psi)	250 bar (3600 psi)
Weight kg(lbs.)	4.3 (9.5)	8.8 (19.2)
CODE:20	3/8" PT	3/4" PT
CODE:2090	3/8" NPT	3/4" NPT

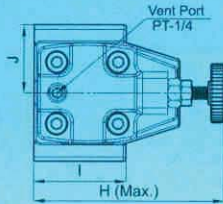


SYMBOL



Model	A	B	C	D	E	F	G	H	I	J	K	L	M
RT-03	150(6.25)	86(3.38)	48(1.88)	30(1.18)	74(2.91)	41.5(1.63)	47(1.85)	151(5.94)	42(1.65)	80(3.14)	40(1.57)	30(1.18)	41.5(1.63)
RT-06	186(7.32)	103(4.05)	53(2.08)	34(1.33)	86(3.38)	46(1.81)	53(2.08)	148.5(5.84)	46(1.81)	96(3.77)	48(1.88)	42(1.65)	46(1.81)

### RCG-03-06 Pressure Reducing with Check Valves(Sub-Plate Type)

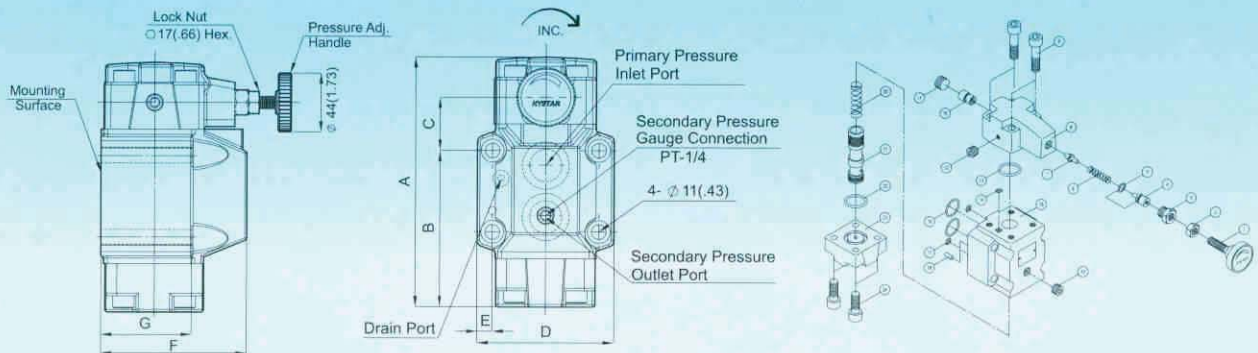


#### Valve Specifications & Attachment

Model	RCG-03	RCG-06
Flow Rating	50 lpm (13.2 gpm)	125 lpm (33 gpm)
Max. Pressure	250 bar (3600 psi)	250 bar (3600 psi)
Weight kg/(lbs.)	5.4 (11.9)	8.1 (17.9)
CODE:20	M10 X70LgX4pcs	M10 X80LgX4pcs
CODE:2090	3/8-16UNCX2-3/4LgX4pcs	3/8-16UNCX3-1/4LgX4pcs
Surface O-Ring	P9X1pc, P18X2pc	P9X2pc, P29X2pc
ISO Mounting	5781-AG-06-2-A	5781-AH-08-2-A

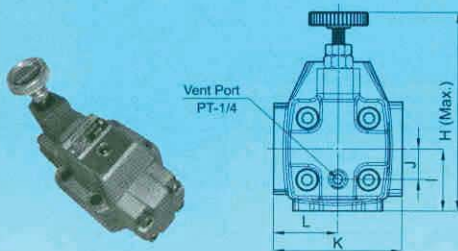


SYMBOL



Model	A	B	C	D	E	F	G	H	I	J
RCG-03	158.5(6.24)	93.5(3.68)	40.5(1.59)	89(3.50)	11.2(.44)	90(3.54)	58(2.28)	144.5(5.68)	59(2.32)	44.5(1.75)
RCG-06	186(7.32)	116.5(4.58)	40(1.57)	102(4.01)	11.3(.44)	104(4.09)	68(2.67)	142.5(5.61)	69(2.71)	51(2.00)

### RCT-03-06 Pressure Reducing with Check Valves(Threaded Type)

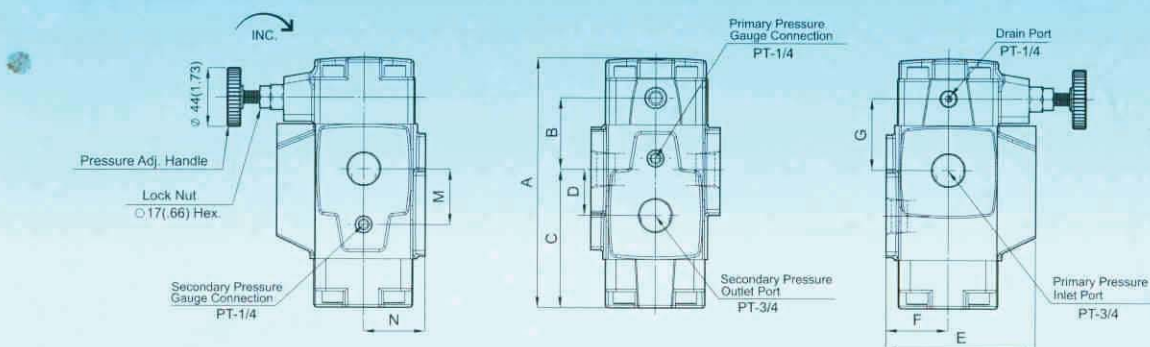


#### Valve Specifications & Attachment

Model	RCT-03	RCT-06
Flow Rating	50 lpm (13.2 gpm)	125 lpm (33 gpm)
Max. Pressure	250 bar (3600 psi)	250 bar (3600 psi)
Weight kg/(lbs.)	4.8 (10.6)	7.8 (17.2)
CODE:20	3/8" PT	3/4" PT
CODE:2090	3/8" NPT	3/4" NPT



SYMBOL



Model	A	B	C	D	E	F	G	H	I	J	K	L	M	N
RCT-03	158.5(6.24)	48(1.88)	86(3.38)	30(1.18)	95(3.74)	41.5(1.63)	47(1.85)	151(5.94)	41.5(1.63)	15.5(.61)	80(3.14)	40(1.57)	30(1.18)	41.5(1.63)
RCT-06	186(7.32)	53(2.08)	103(4.05)	34(1.33)	111(4.37)	46(1.81)	53(2.08)	148.5(5.84)	46(1.81)	22.5(.88)	96(3.77)	48(1.88)	41.5(1.63)	46(1.81)



## DIMENSIONS

MILLIMETERS(INCHES)

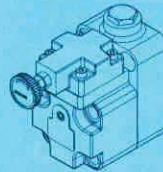
### Unloading Relief Valves(Sub-Plate Type) BUCG-06 Series

#### Ordering Code

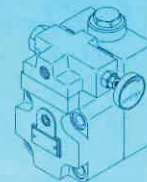
**BUC - G - 06 - B - 20**

Series No	Type of Mounting	Valve Size	Pressure Range	Design No
BUC: Unloading Relief Valve	G Subplate Mounting	06: (3/4")	B: 25-70 bar (360-1000 PSI)	20 (G) DIN 912 bolts
		10: (1 1/4")	C: 35-140 bar (500-2000 PSI)	2090 (G) UNC bolts (North America)
			H: 70-210 bar (1000-3000 PSI)	

BUCG-06



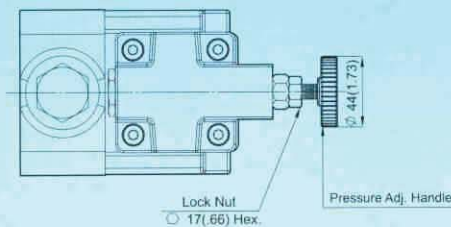
BUCG-10



SYMBOL

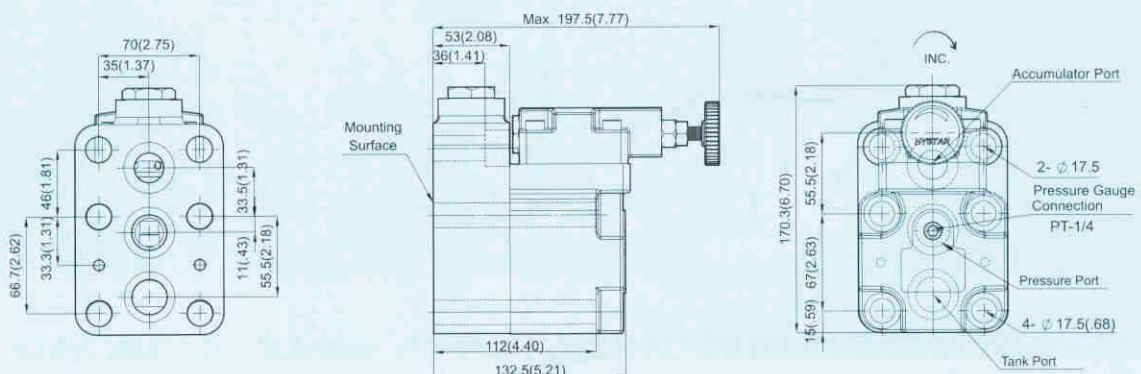


### BUCG-06 Unloading Relief Valves(Sub-Plate Type)



#### Valve Specifications & Attachment

Model	BUCG-06
Flow Rating	125 lpm (33 gpm)
Max. Pressure	250 bar (3600 psi)
Weight (kg/lbs.)	12 (26.4)
CODE:20	M16 X25LgX2pcs M16 X110LgX2pcs M16 X130LgX2pcs
CODE:2090	5/8-11UNCX2-1/4LgX2pcs 5/8-11UNCX4-1/2LgX2pcs 5/8-11UNCX5LgX2pcs
Surface O-Ring	P9X1pc, P29X2pc





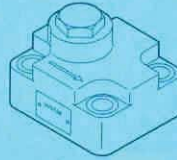
### Check Valves (Right Angle)-Subplate Type CRG Series (Design 20 and 50)

#### Ordering Code

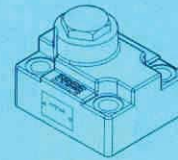
CR - G - 03 - 50 - 20

Series No	Type of Mounting	Valve Size	Pressure Range	Design No
CR: Right Angle Check Valve	G Subplate Mounting	03: (3/8") ISO 5781-AG-06-2-A	04: 0.4 bar (6 PSI)	20 (G) DIN 912 bolts
		06: (3/4") ISO 5781-AH-08-2-A	35: 3.5 bar (50 PSI)	2090 (G) UNC bolts (North America)
		10: (1 1/4") ISO 5781-AJ-10-2-A	50: 5.0 bar (70 PSI)	50 (G) DIN 912 bolts
				5090 (G) UNC bolts (North America)

CRG-06-\*-20



CRG-06-\*-50

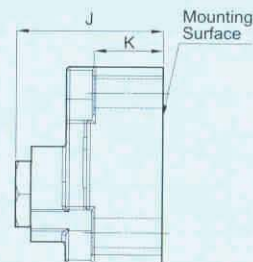
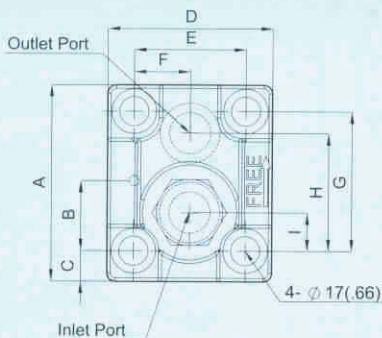
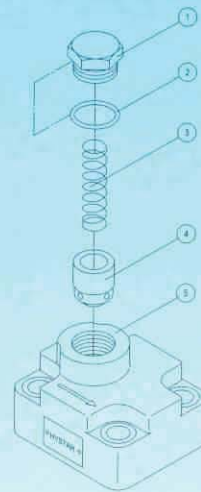
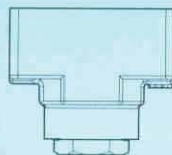


#### Valve Specifications & Attachment

Model	CRG-03	CRG-06	CRG-10
Flow rating:	30 lpm (7.9 gpm)	80 lpm (21.1 gpm)	200 lpm (52.9 gpm)
Max. Pressure:	250 bar (3600 psi)	250 bar (3600 psi)	250 bar (3600 psi)
Weight kg(lbs.)	2 (4.4)	4 (8.8)	8 (17.6)
CODE 20	M10 X0.5LX4pc	M16 X0.5LX4pc	M20 X1.0LX4pc
CODE 2090	---	---	---
Surface O-Ring	P22AX2pc	P29X2pc	P36X2pc
ISO Mounting	**	**	**

CRG-03-06-10

Design No: 20



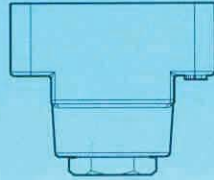
Model	A	B	C	D	E	F	G	H	I	J	K
CRG-03	80(3.14)	30.1(1.18)	10(.39)	68(2.67)	47.6(1.87)	23.8(.93)	60(2.36)	47.6(1.87)	12.7(.50)	65.5(2.57)	49(1.92)
CRG-06	114(4.48)	40.5(1.59)	17.8(.70)	96(3.77)	65.1(2.56)	32.6(1.28)	80.9(3.18)	68.2(2.68)	22.2(.87)	85(3.34)	40(1.57)
CRG-10	131(5.15)	46(1.81)	19.5(.76)	129(5.07)	92.1(3.62)	46.1(1.81)	92.1(3.62)	71.4(2.81)	20.1(.79)	100(3.93)	51(2.00)



## DIMENSIONS

MILLIMETERS(INCHES)

### CRG-03-06-50 Check Valves (Right Angle)-Subplate Type

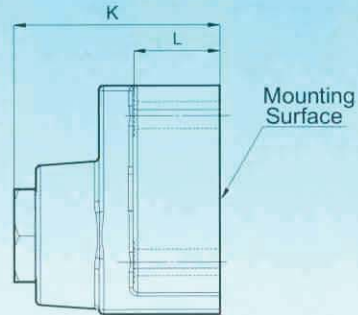
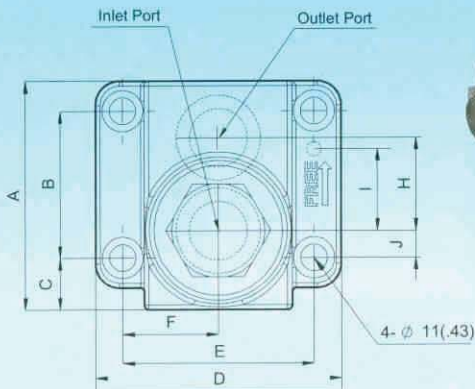


#### Valve Specifications & Attachment

Model	CRG-03	CRG-06
Flow rating	40 lpm (10.6 gpm)	125 lpm (33 gpm)
Max. Pressure	250 bar (3600 psi)	250 bar (3600 psi)
Weight kg(lbs.)	1.7 (3.8)	2.9 (6.4)
CODE 20	M10 X5LgM4pc	M10 X50LgM4pc
CODE 2090	3/8-16UNCX1-3/4LgM4pc	3/8-16UNCX2LgM4pc
Surface O-Ring	P22AX2pc	P29X2pc
ISO Mounting	5781-AG-06-2-A	5781-AH-08-2-A

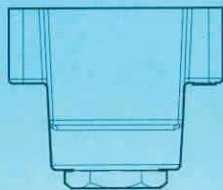


SYMBOL



Model	A	B	C	D	E	F	G	H	I	J	K	L
CRG-03-5-50	73(2.87)	42.9(1.68)	18(.70)	89(3.50)	66.7(2.62)	33.4(1.31)	11.2(.44)	35.7(1.40)	31.8(1.25)	7(.27)	68(2.67)	33(1.29)
CRG-06-5-50	94(3.70)	60.3(2.37)	21.5(.84)	102(4.01)	79.4(3.12)	39.7(1.56)	11.3(.44)	49.2(1.93)	44.5(1.75)	11.1(.43)	85(3.34)	35(1.37)

### CRG-10-50 Check Valves (Right Angle)-Subplate Type

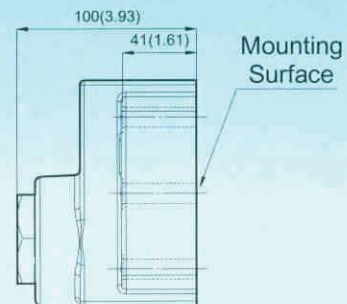
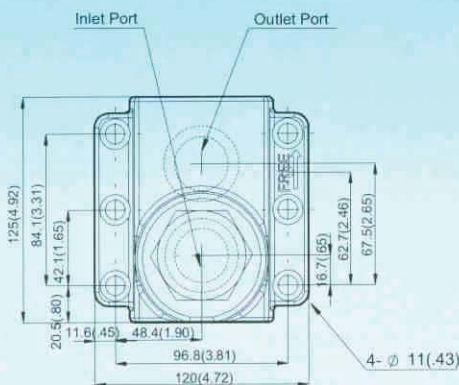


#### Valve Specifications & Attachment

Model	CRG-10
Flow rating	250 lpm (66 gpm)
Max. Pressure	250 bar (3600 psi)
Weight kg(lbs.)	5.5 (12.1)
CODE 20	M10X50LgM4pc
CODE 2090	3/8-16UNCX2-1/4LgM4pc
Surface O-Ring	P36X2pc
ISO Mounting	5781-AJ-10-2-A



SYMBOL

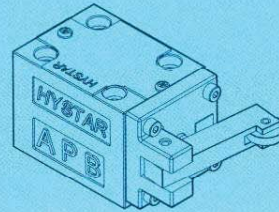


### Cam Operated Directional Valves(Sub-Plate Type) DCG Series

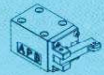
#### Ordering Code

DC - T - 01 - 2B2 - 20

Series No	Type of Mounting	Valve Size	Spool Type	Design No
DC: Cam Operated Directional Valve	G Subplate Mounting	(DCG-01 NFFPA-D03)	2B2 	20 (G) DIN 912 bolts 
	T Threaded Connection		2B2 	2090 (G) UNC bolts (North America) 



SYMBOL



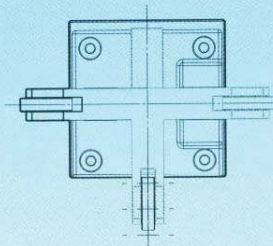
#### Valve Specifications & Attachment

Model	DCG-01
Flow Rating	63 lpm (16.6 gpm)
Max. Pressure	315bar (4500 psi)
Weight kg/(lbs.)	1.4 (3.1)
CODE:20	M5 X45LgX4pcs
CODE:2090	10-24UNCX1-3/4LgX4pcs
Surface O-Ring	P9X4pc

### DCG-01 Cam Operated Directional Valves(Sub-Plate Type)



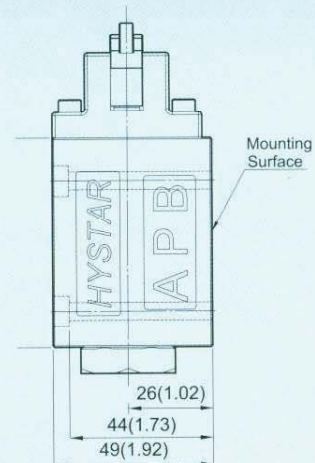
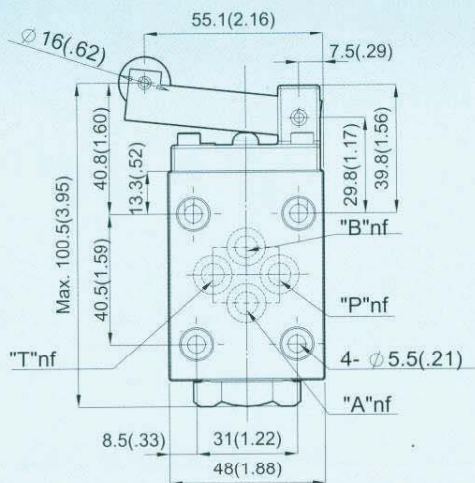
Normal Position



Position "R"



Position "Y"













# DIRECTION CONTROL VALVES

## Ordering Code

**CP** - **T** - **03** - **E** - **04** - **20**



SYMBOL

Series No	Type of Mounting	Valve Size	Drain Connection	Pressure Range	Design No
CP: Pilot Controlled Check Valve	G Subplate Mounting 	03: (3/8") ISO 5781-AG-06-2-A	None: Internal Drain	04: 0.4 bar (6 PSI)	20 (G) DIN 912 bolts 
CPD: Decompression Type Pilot Controlled Check Valve	T Threaded Connection 	06: (3/4") ISO 5781-AH-08-2-A	E: External Drain	20: 2.0 bar (29 PSI)	2090 (G) UNC bolts (North America) 
CPDG: 		10: (1-1/4") ISO 5781-AJ-10-2-A		35: 3.5 bar (50 PSI)	20 (T) PT Connection 
CPDT: 				50: 5.0 bar (70 PSI)	2090 (T) NPT Connection (North America) 

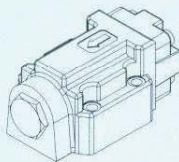
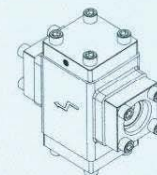


MODEL	DESCRIPTION	PAGE
CPDG-03-06	Pilot Controlled Check Valves(Sub-Plate Type)	267
CPDG-10	Pilot Controlled Check Valves(Sub-Plate Type)	267
CPDT-04-06-10	Pilot Controlled Check Valves(Threaded Type)	268
CPDF-16	Pilot Controlled Check Valves	268

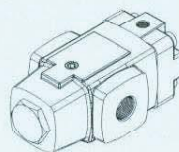
CPDG



CPDF

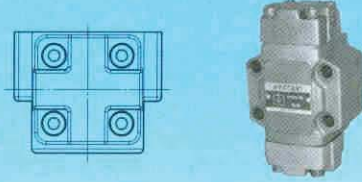


CPDT



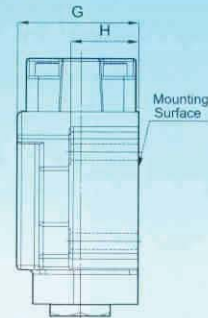
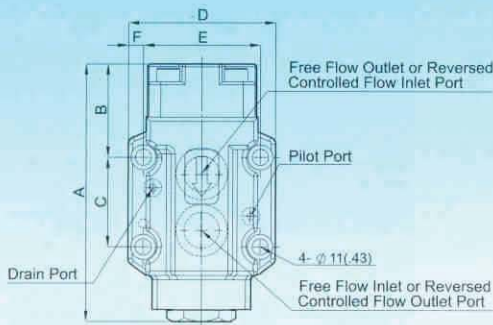
D

### CPDG-03-06 Pilot Controlled Check Valves(Sub-Plate Type)



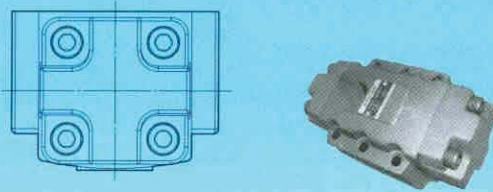
#### Valve Specifications & Attachment

Model	CPDG-03	CPDG-06
Flow Rating	40 lpm (10.6 gpm)	125 lpm (33 gpm)
Max. Pressure	250 bar (3600 psi)	250 bar (3600 psi)
Weight kg(lbs.)	3.3 (7.3)	5.4 (11.9)
CODE:20	M10 X45LgX4pcs	M10 X50LgX4pcs
CODE:2090	3/8-16UNCX1-3/4LgX4pcs	3/8-16UNCX2LgX4pcs
Surface O-Ring	P9X2pc, P18X2pc	P9X2pc, P25X2pc
ISO Mounting	5781-AG-06-2-A	5781-AH-08-2-A



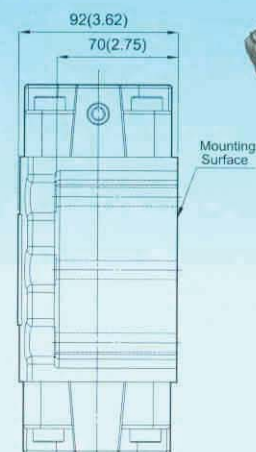
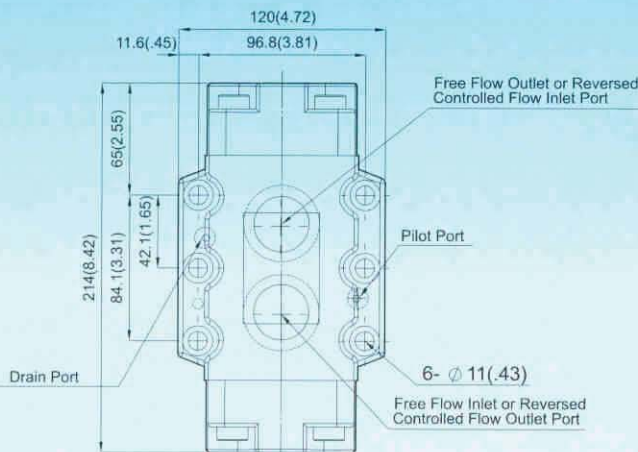
Model	A	B	C	D	E	F	G	H
CPDG-03	148(5.82)	52.6(2.07)	42.9(1.68)	91(3.58)	66.7(2.62)	12.2(.48)	70(2.75)	61(2.40)
CPDG-06	174(6.85)	63.4(2.49)	60.3(2.37)	100(3.93)	79.4(3.12)	10.3(.40)	82(3.22)	46(1.81)
CPDG-03	123(4.84)	37.6(1.48)	42.9(1.68)	85(3.34)	66.7(2.62)	9.2(.36)	45(1.77)	13(.51)

### CPDG-10 Pilot Controlled Check Valves(Sub-Plate Type)



#### Valve Specifications & Attachment

Model	CPDG-10
Flow Rating	250 lpm (66 gpm)
Max. Pressure	250 bar (3600 psi)
Weight kg(lbs.)	8.5 (18.7)
CODE:20	M10 X55LgX6pcs
CODE:2090	3/8-16UNCX2-1/4LgX6pcs
Surface O-Ring	P9X2pc, P38X2pc
ISO Mounting	5781-AJ-10-2-A

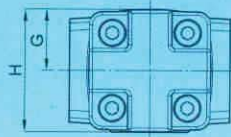
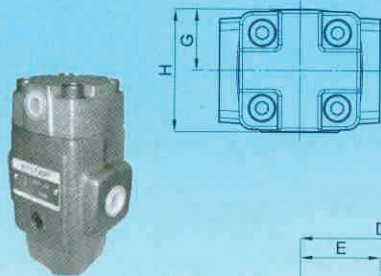




## DIMENSIONS

MILLIMETERS(INCHES)

### CPDT-04-06-10 Pilot Controlled Check Valves(Threaded Type)

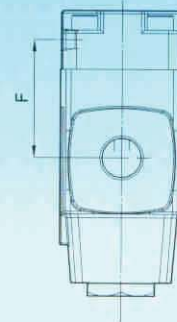
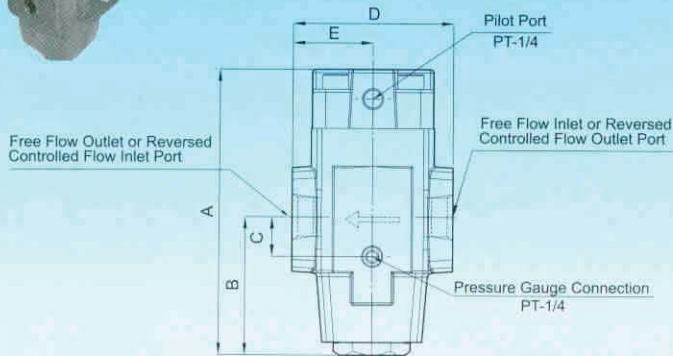


#### Valve Specifications & Attachment

Model	CPDT-04	CPDT-06	CPDT-10
Flow Rating	40 lpm (10.6 gpm)	125 lpm (33 gpm)	250 lpm (66 gpm)
Max. Pressure	250 bar (3600 psi)	250 bar (3600 psi)	250 bar (3600 psi)
Weight kg(lbs.)	3.0 (6.6)	5.5 (12.1)	9.6 (21.2)
CODE:20	1/2" PT	3/4" PT	1 1/4" PT
CODE:2090	1/2" NPT	3/4" NPT	1 1/4" NPT

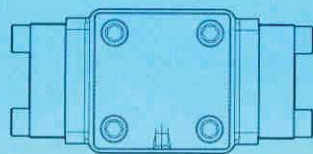


SYMBOL



Model	A	B	C	D	E	F	G	H	I
CPDT-04	148(5.82)	74(2.91)	19(.74)	80(3.14)	40(1.57)	59(2.32)	62(2.44)	31(1.22)	1/2
CPDT-06	174(6.85)	84(3.30)	24(.94)	98(3.85)	49(1.92)	72(2.83)	75(2.95)	37.5(1.47)	3/4
CPDT-10	200(7.87)	90.5(3.56)	22.5(.88)	140(5.51)	70(2.75)	92.5(3.64)	92(3.62)	46(1.81)	1 1/4

### CPDF-16 Pilot Controlled Check Valves

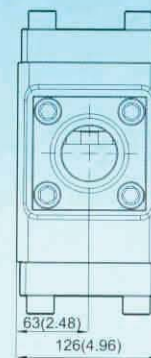
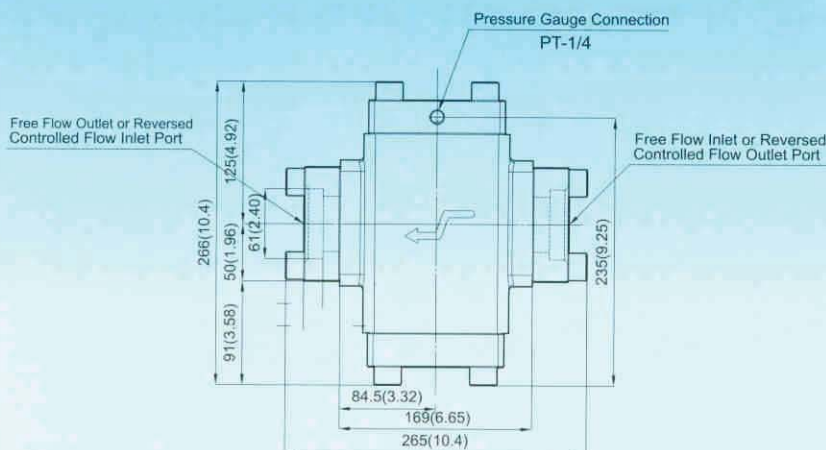


#### Valve Specifications & Attachment

Model	CPDF-16
Flow Rating	500 lpm (132 gpm)
Max. Pressure	250 bar (3600 psi)
Weight kg(lbs.)	30 (66.3)
CODE:20	2" PT
CODE:2090	2" NPT



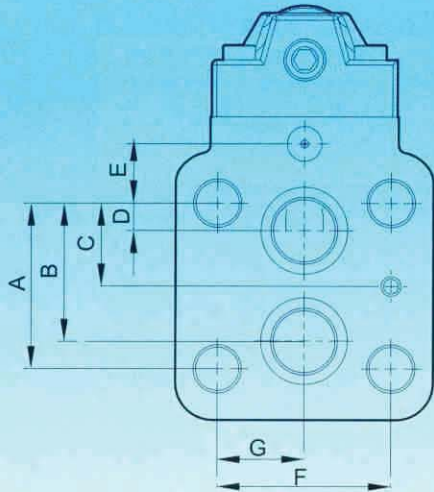
SYMBOL



## INSTALLATION DIMENSIONS

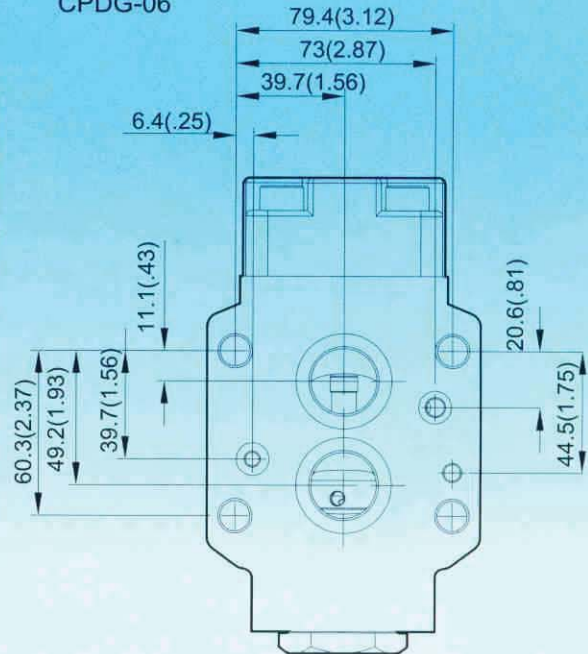
MILLIMETERS(INCHES)

BG-03-06-10  
BRG-03-06-10  
SBG-03-06-10

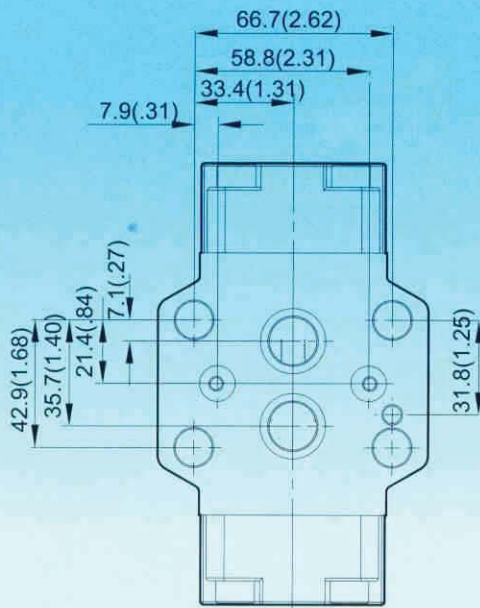


	A	B	C	D	E	F	G
03	53.8(2.11)	47.4(1.86)	22(0.86)	22(0.86)	0	53.8(2.11)	26.9(1.05)
06	66.7(2.62)	55.5(2.18)	33.4(1.31)	11(0.43)	23.8(0.93)	70(2.75)	35(1.37)
10	88.9(3.50)	76.2(3.00)	44.5(1.75)	12.7(.50)	31.8(1.25)	82.6(3.25)	41.3(1.62)

RG-06  
HG-06  
HCG-06  
CPDG-06



RG-03  
HG-03  
HCG-03  
CPDG-03



HG-10  
HCG-10  
CPDG-10

