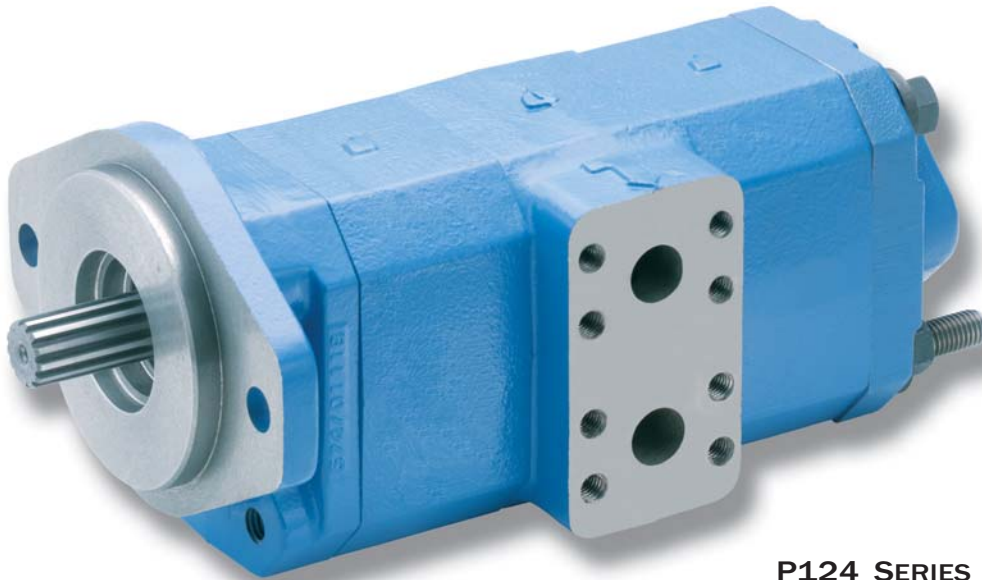




124 SERIES PUMPS AND MOTORS

SMALL DISPLACEMENT SLEEVE BUSHING PUMPS AND MOTORS



**P124 SERIES TANDEM,
SINGLE INLET/DUAL OUTLET**

124 SERIES FEATURES

- ❑ Heavy duty sleeve bushing design in a small frame size
- ❑ Cubic inch displacements from 0.62 through 2.48
- ❑ Working pressure up to 3500 PSI
- ❑ Speeds up to 3000 RPM
- ❑ Flows up to 30 GPM
- ❑ Doweled and high strength cast iron construction
- ❑ 100% factory tested
- ❑ High strength alloy steel gear and shaft sets
- ❑ Available as a clutch pump
- ❑ A wide range of porting, mounting, and shaft options available
- ❑ Pressure balanced wear plates maintain high pump efficiency throughout all operating ranges
- ❑ Both single inlet/single outlet and single inlet/dual outlet bearing carriers available



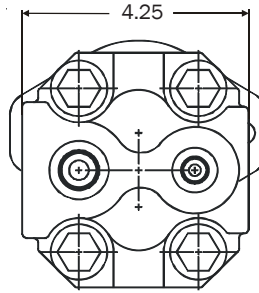
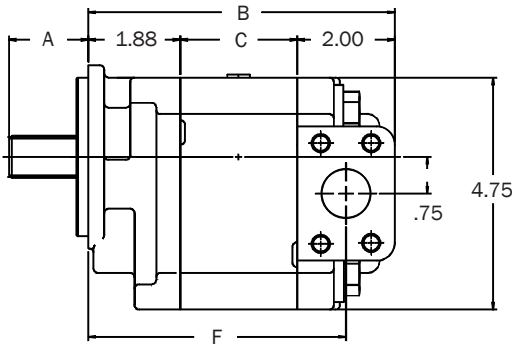
P124 SERIES SINGLE



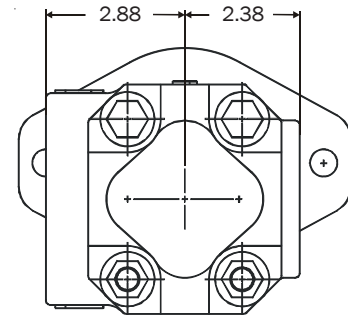
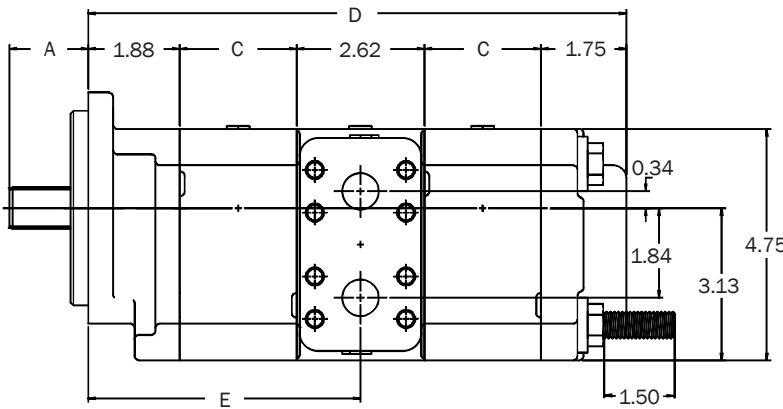
The Sensible Choice



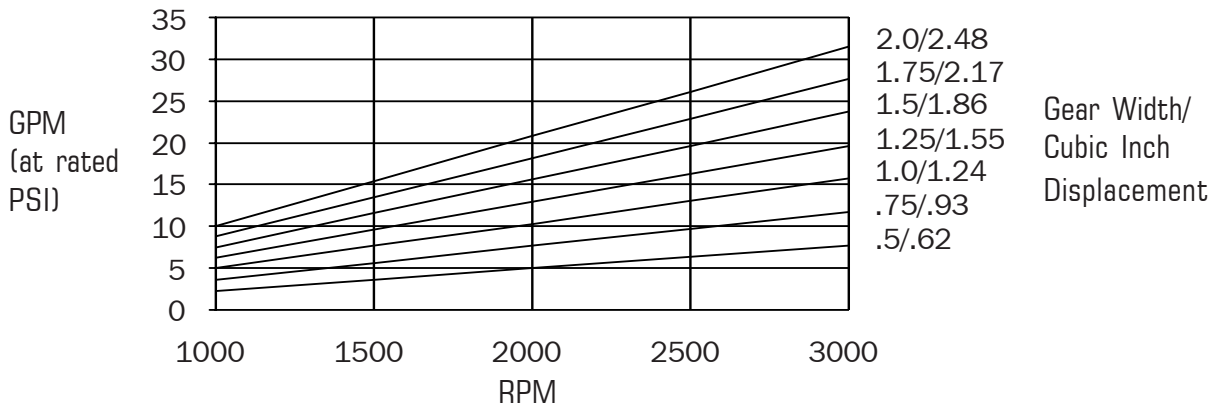
Dimensional Data (inches)



- A. 1.63" SAE "B" shaft shown, other shafts available
- B. 4.27" plus gear width
- C. 0.4" plus gear width
- D. 7.04" plus total gear width
- E. 3.58" plus front gear width
- F. 3.27" plus gear width



P124 Performance Chart/Specifications



| GEAR WIDTH (IN) | DISPL CU IN/CC | MAX RPM | MIN RPM | MAX PSI/BAR |
|-----------------|----------------|---------|---------|-------------|
| .5 | .62/10 | 3000 | 600 | 3500/241 |
| .75 | .93/15 | 3000 | 600 | 3500/241 |
| 1.00 | 1.24/20 | 3000 | 600 | 3500/241 |
| 1.25 | 1.55/25 | 3000 | 600 | 3500/241 |
| 1.50 | 1.86/30 | 3000 | 600 | 3300/227 |
| 1.75 | 2.17/35 | 3000 | 600 | 2900/200 |
| 2.00 | 2.48/40 | 3000 | 600 | 2500/172 |